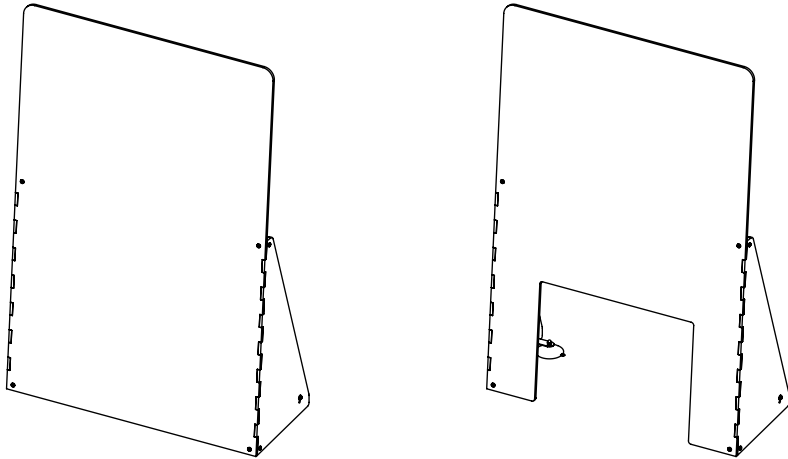


ACRYLIC SHIELD

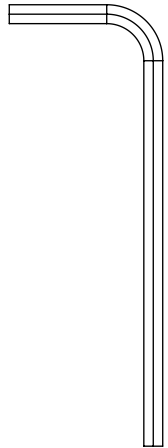
Item #ACSHLD, ACSHLDW

TOOLS REQUIRED

PHILIPS HEAD SCREWDRIVER

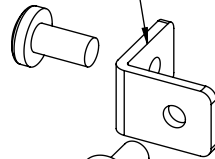


INCLUDED HARDWARE

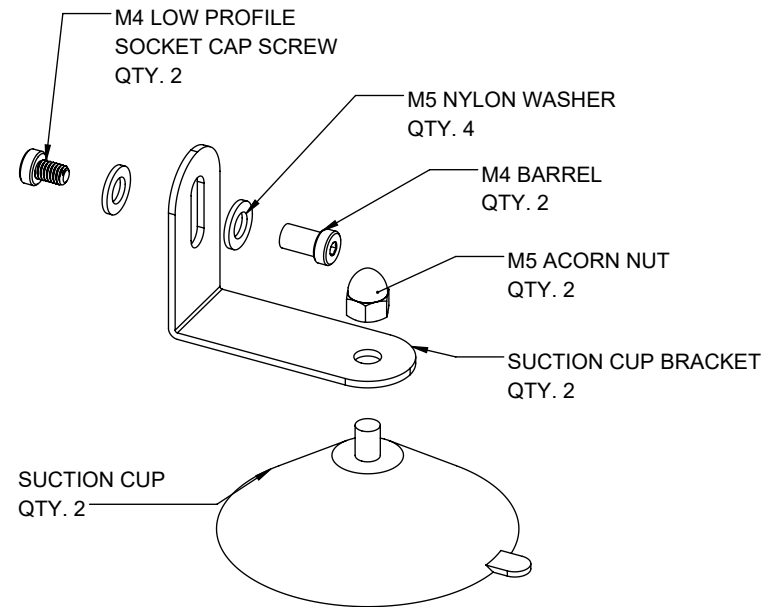


ALLEN-KEY
QTY. 2

ANGLE BRACKET
QTY. 4

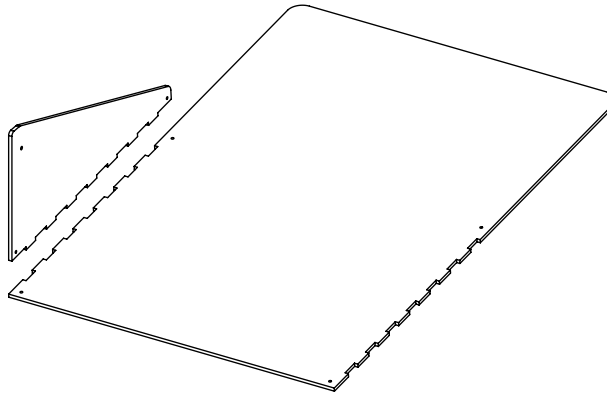


M4 X 8mm LONG
PAN CROSS HEAD
SCREW
QTY. 8



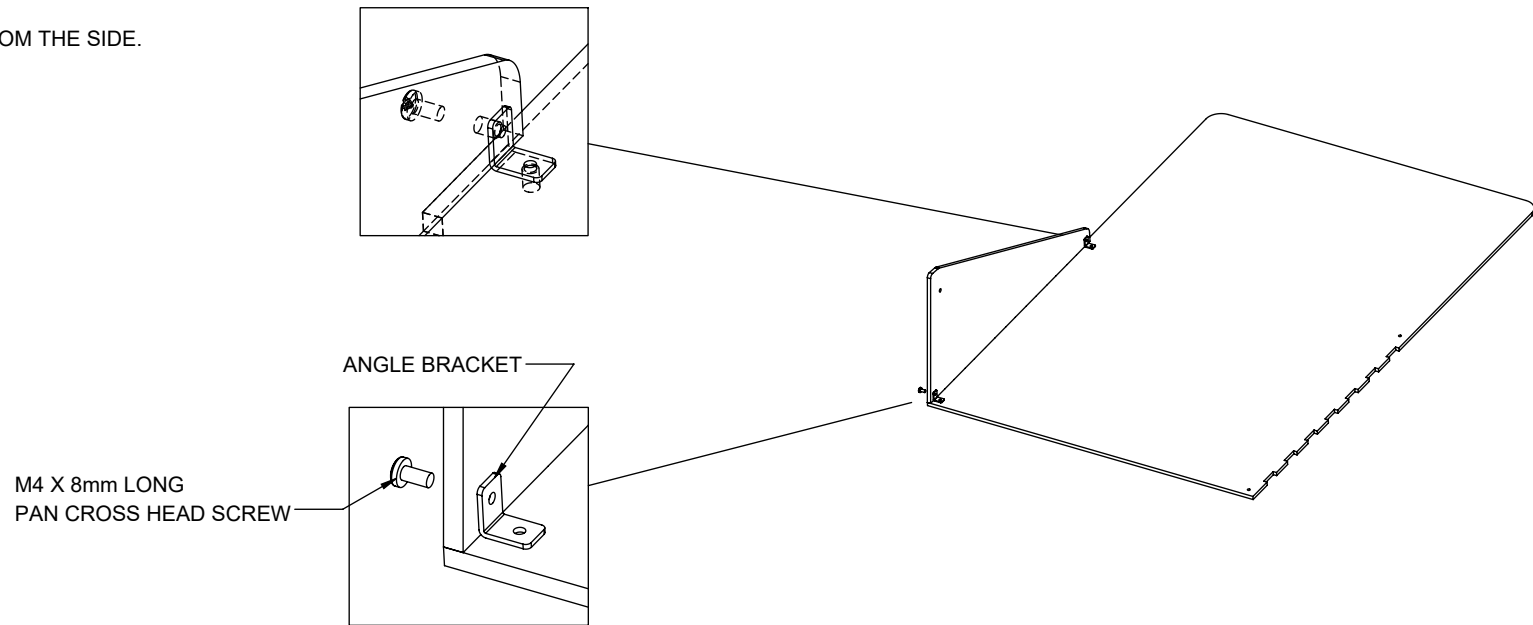
1

LAY PANEL ON CARDBOARD ON A TABLE TOP..
INTERLOCK SIDE PANEL INTO FRONT PANEL



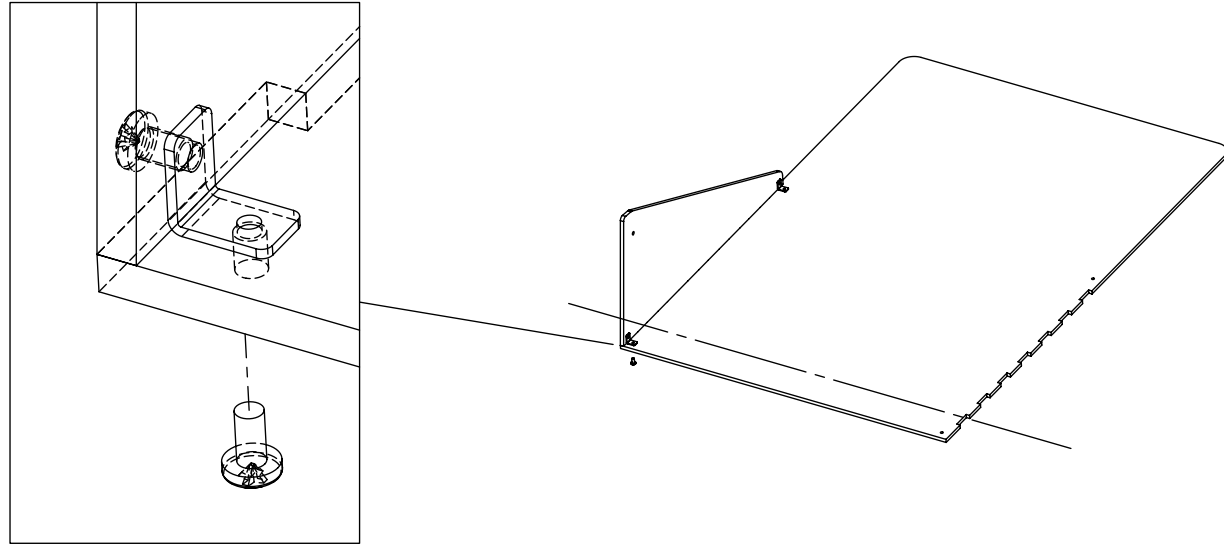
2

ASSEMBLE SCREWS FROM THE SIDE.
USE SCREWDRIVER.



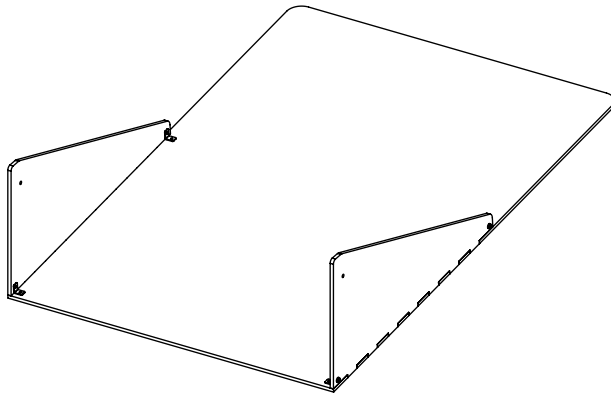
3

SLIDE THE ACRYLIC PANEL OVER THE EDGE OF TABLE TOP.
SCREW FROM UNDERNEATH



4

REPEAT STEPS 1-3 FOR SECOND SIDE PANEL

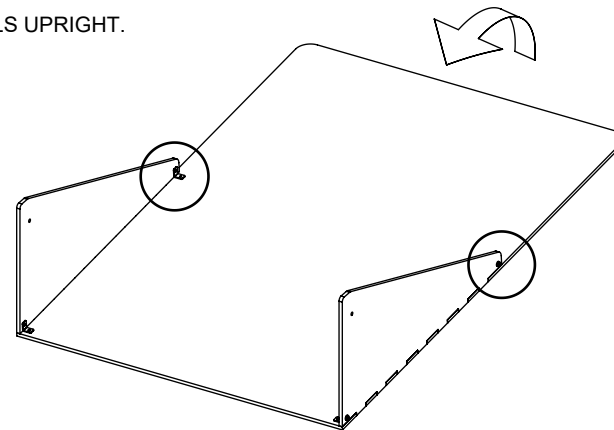


5

GRAB BOTH SIDE AND FRONT PANELS ON CIRCLED SPOTS.

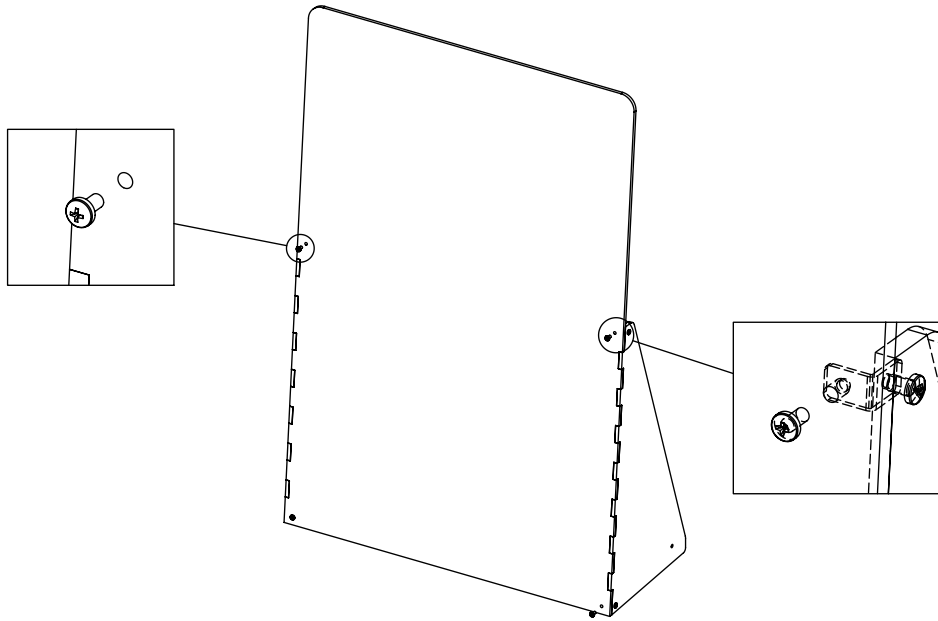
BY GRABBING ONTO BOTH PANELS AS YOU'RE LIFTING, IT
WILL PREVENT ANY CRACKING.

LIFT PANELS UPRIGHT.



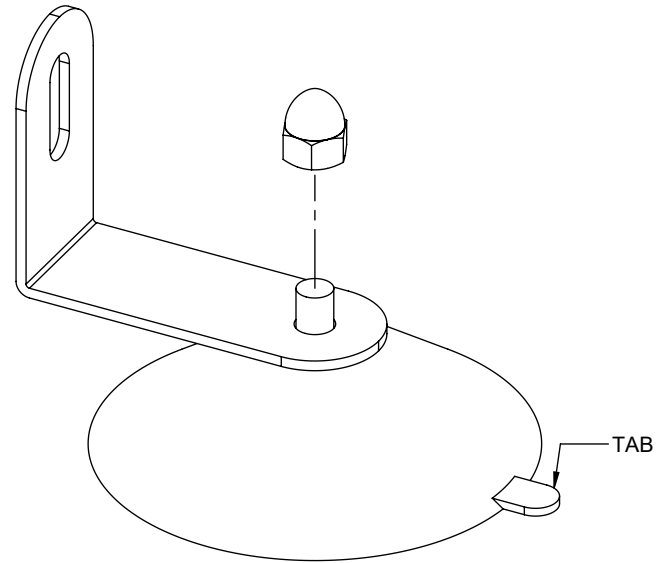
6

SCREW FROM THE FRONT.



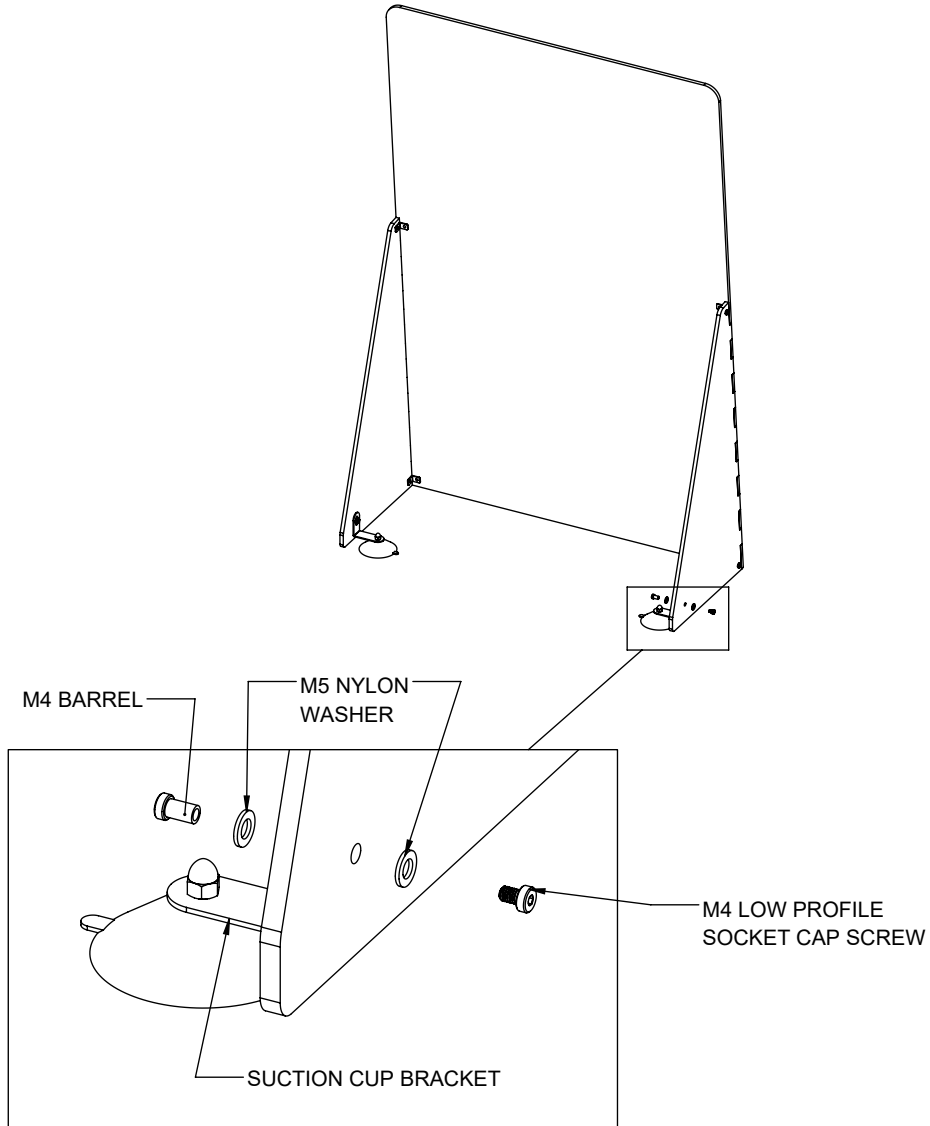
7

SCREW ACORN NUT INTO SUCTION CUP.
MAKE SURE TAB IS POINTED IN THE RIGHT DIRECTION.
EASY ACCESS TO THE TAB IS IMPORTANT IF YOU NEED
TO REPOSITION THE ACRYLIC SHIELD.



8

ASSEMBLE SUCTION CUP TO SIDE PANEL.
HAND TIGHTEN SCREWS AS SHOWN.
MAKE SURE THE SUCTION CUP BRACKET IS FREE TO MOVE.

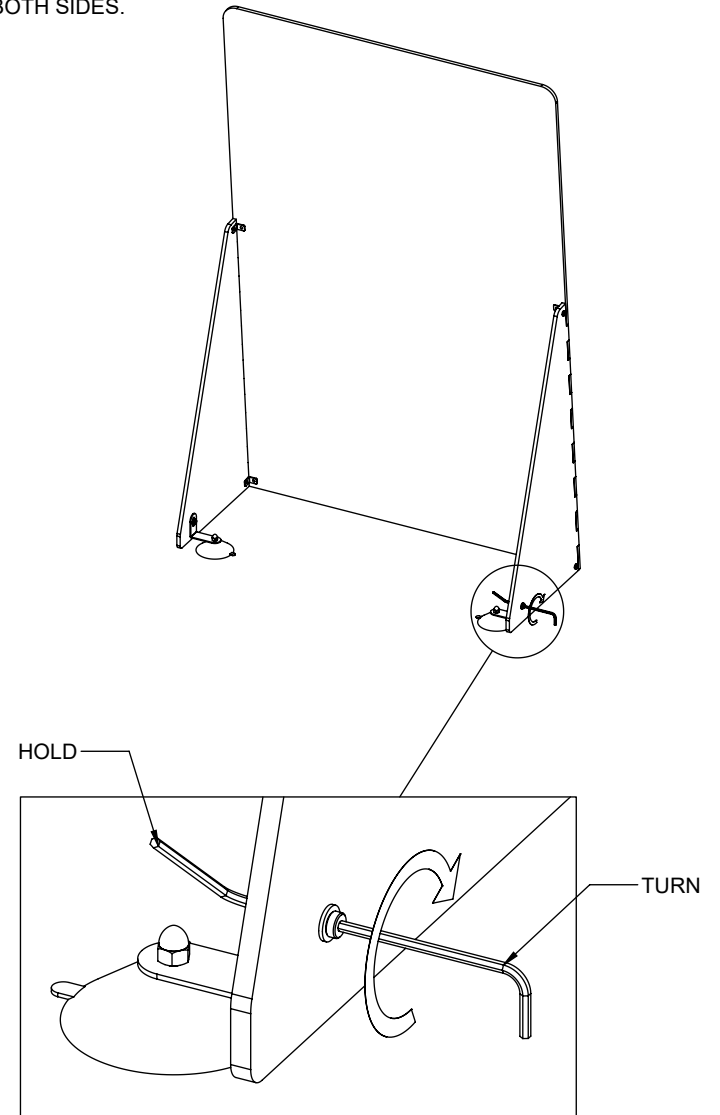


9

PLACE ACRYLIC SHIELD WHERE IT WILL BE USED.
PRESS DOWN ON SUCTION CUPS TO KEEP SHIELD IN PLACE.

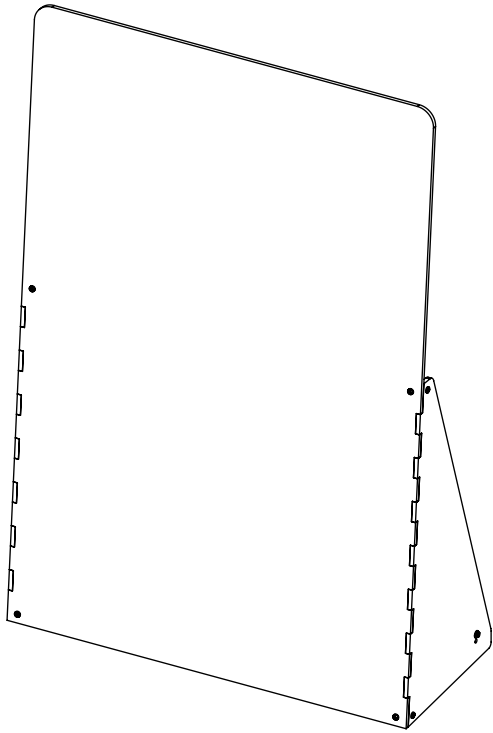
TIGHTEN SCREWS FROM STEP 8..
HOLD INSIDE ALLEN KEY WHILE TURNING OUTSIDE ALLEN KEY..

REPEAT FOR BOTH SIDES.

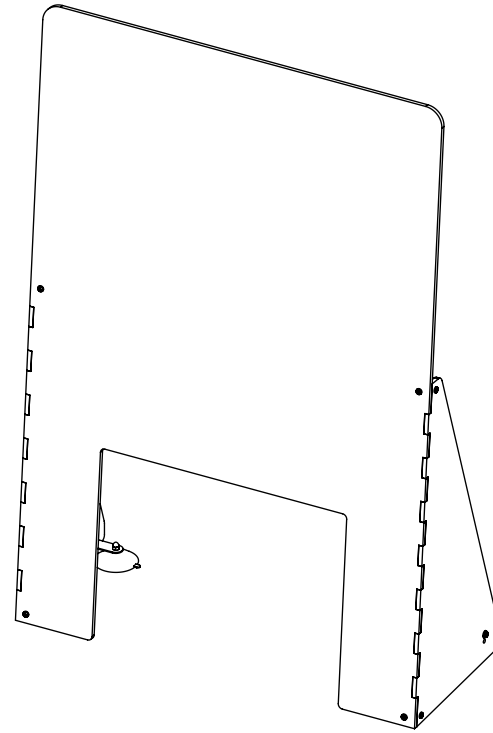


10

ASSEMBLY IS COMPLETE.



ITEM # ACSHLD



ITEM # ACSHLDW