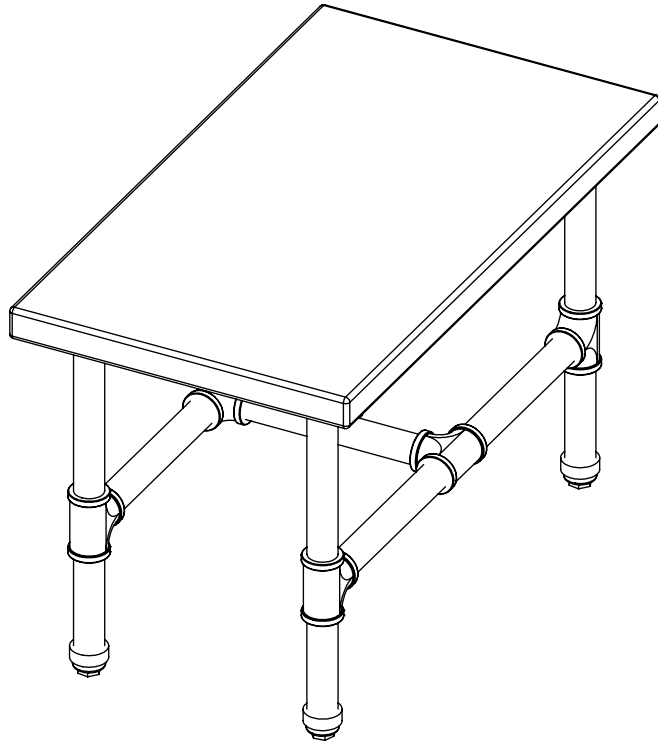
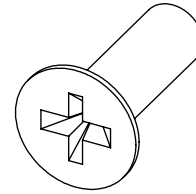


PIPELINE - SMALL DISPLAY TABLE

PSDT/PSDTSET

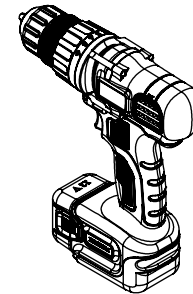


INCLUDED HARDWARE



16X
#12 x 0.75" LONG
CSK WOOD SCREW

REQUIRED TOOLS

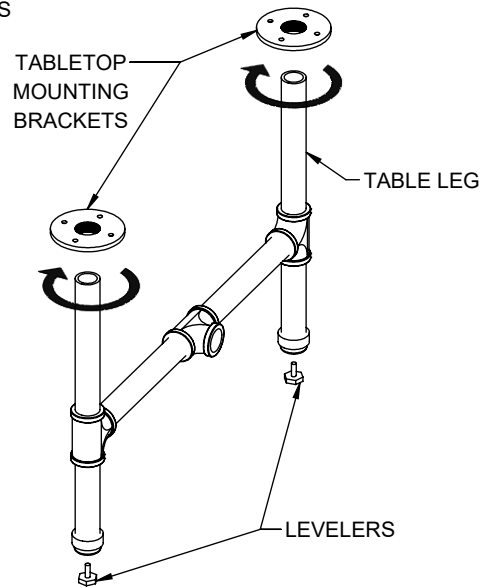


AUTOMATIC DRILL
(NOT INCLUDED)

1

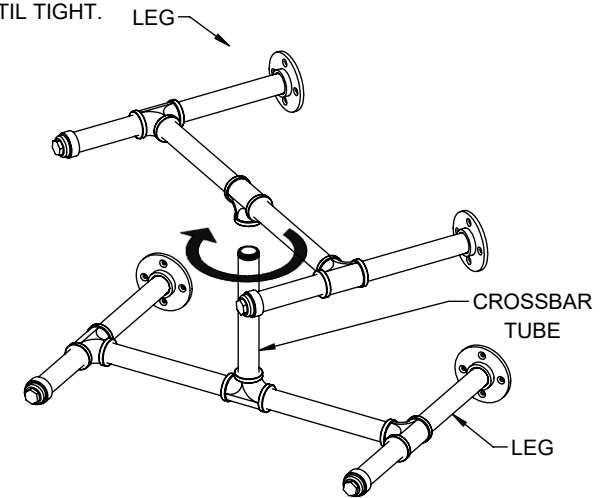
INSTALL THE TABLETOP MOUNTING BRACKETS ONTO THE LEGS. IF LEVELERS ARE NOT ALREADY INSTALLED, INSTALL THEM NOW.

COMPLETE THIS STEP FOR BOTH LEGS



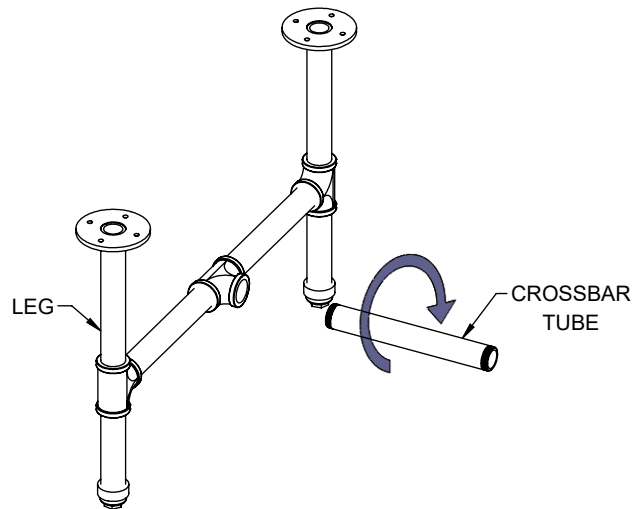
3

PLACE THE FIRST LEG DOWN ON THE GROUND AND THREAD ON THE SECOND LEG BY ROTATING CLOCKWISE UNTIL TIGHT.



2

THREAD THE CROSSBAR TUBE INTO ONE OF THE LEGS BY ROTATING IT UNTIL IT IS TIGHT.



4

MOUNT THE TABLETOP TO THE TABLE BASE USING (16) #12 X 0.75" LONG WOOD SCREWS.

