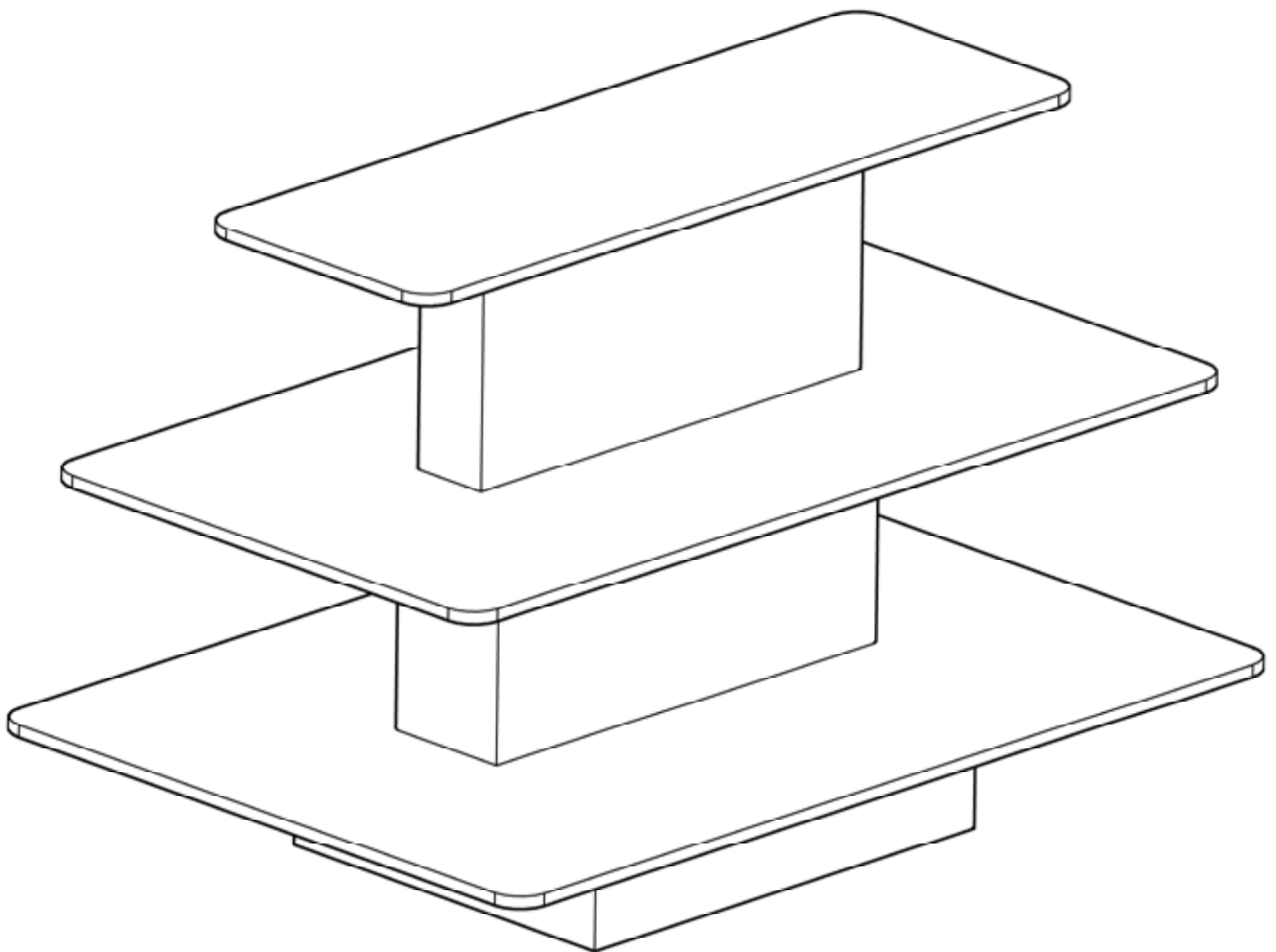
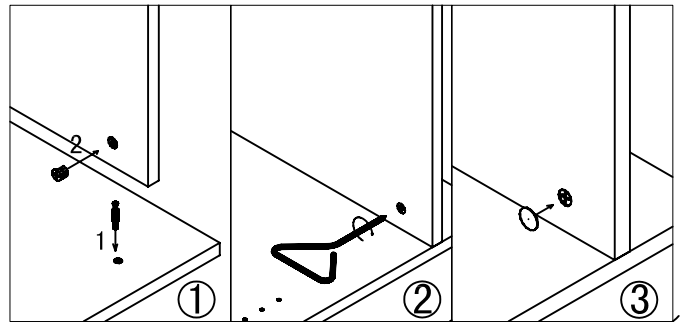
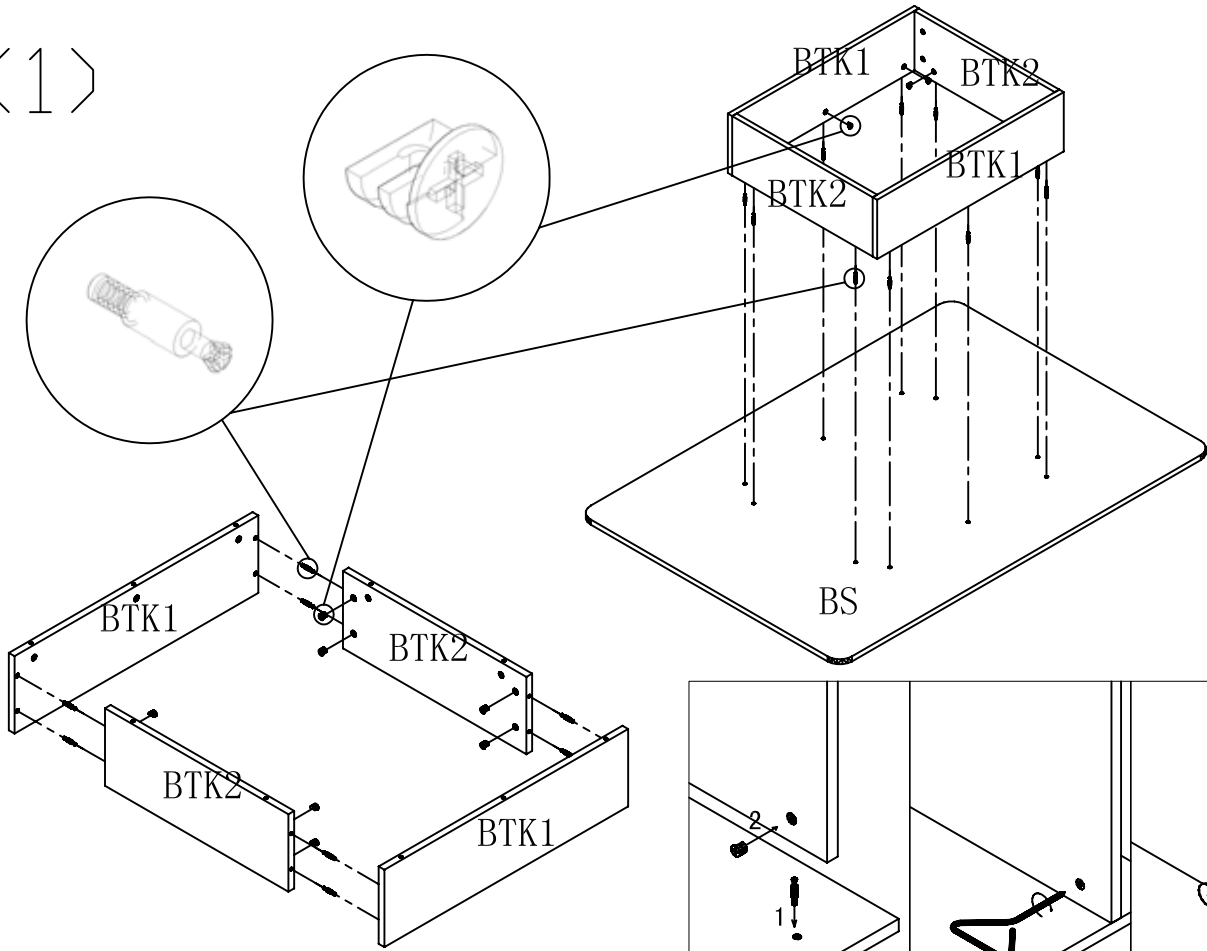


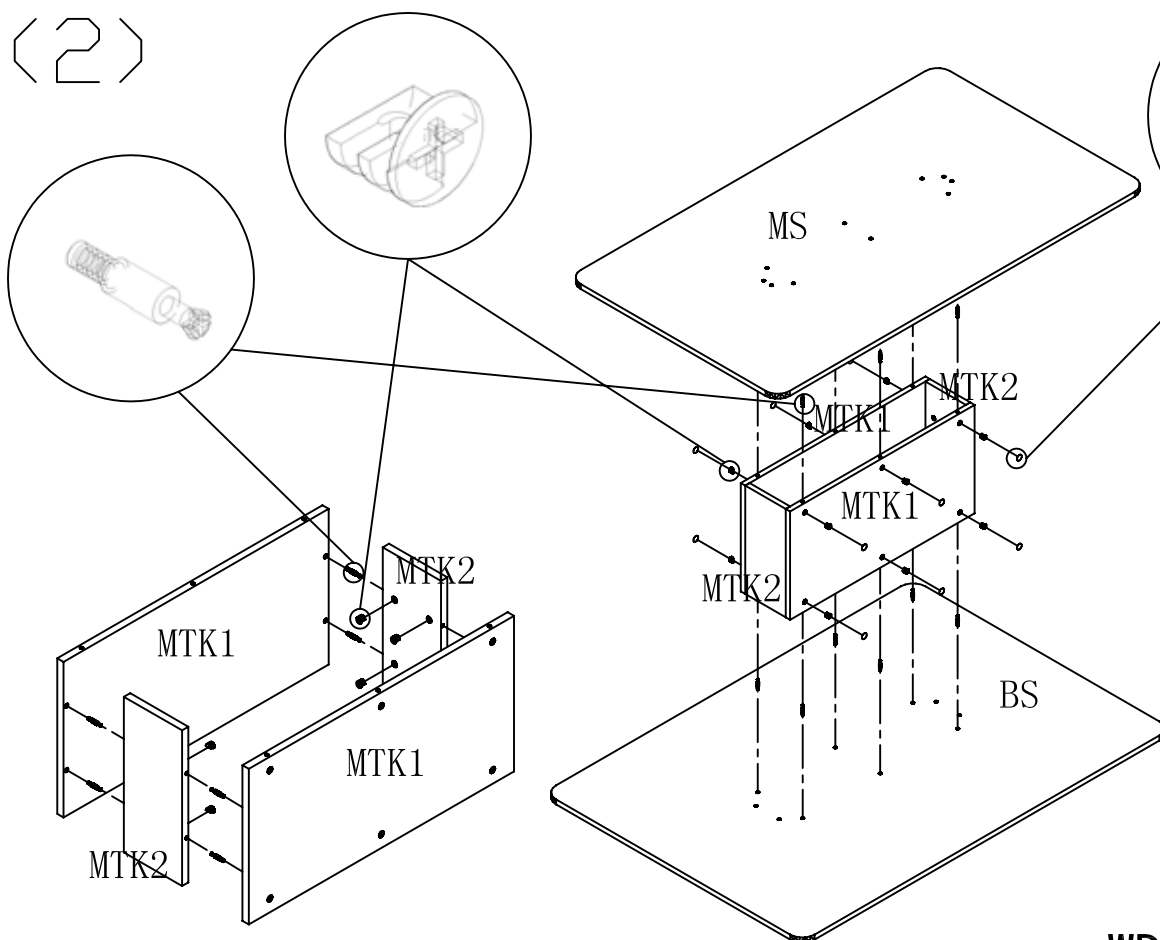
WD3RTMP



(1)

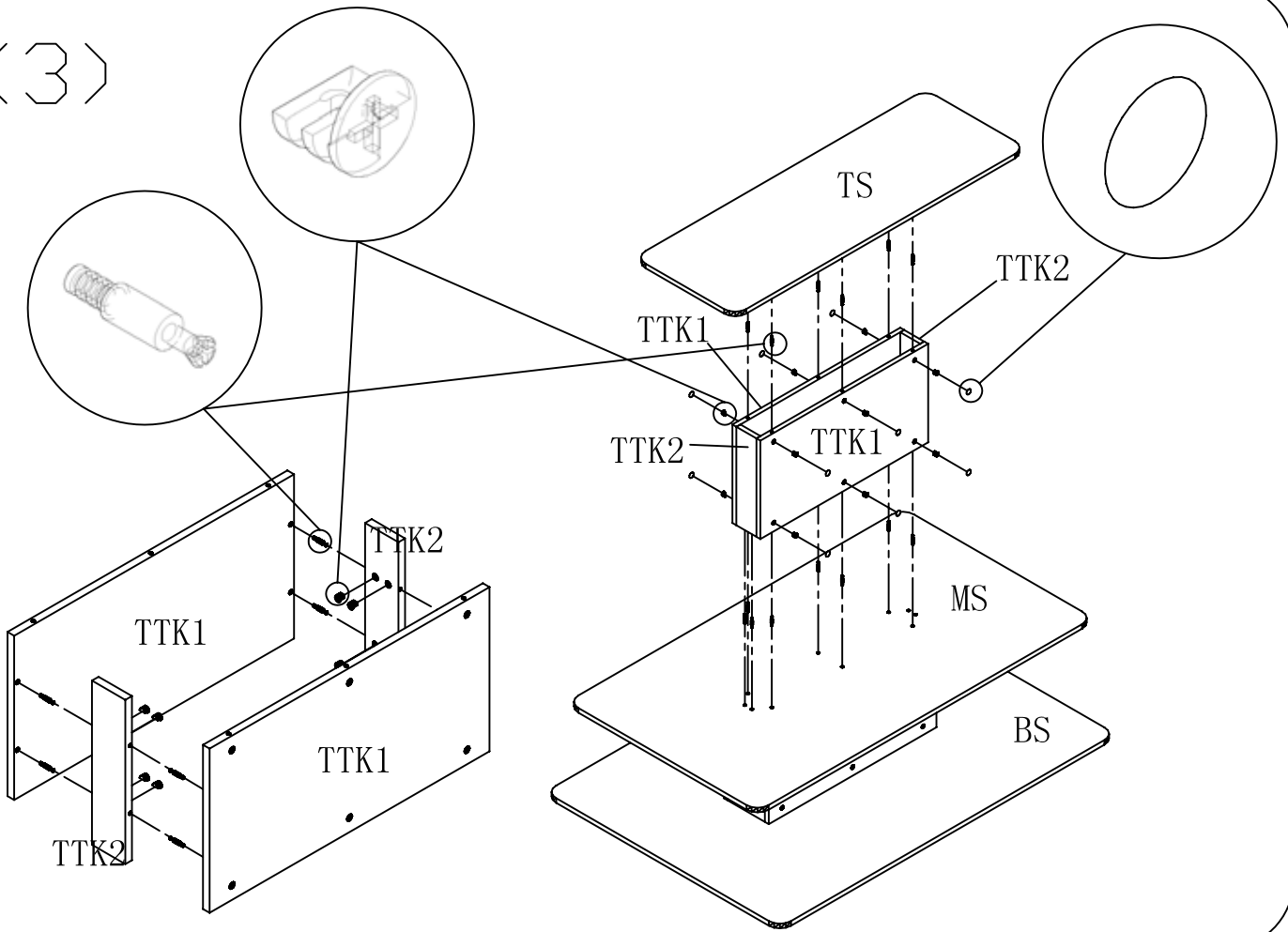


(2)

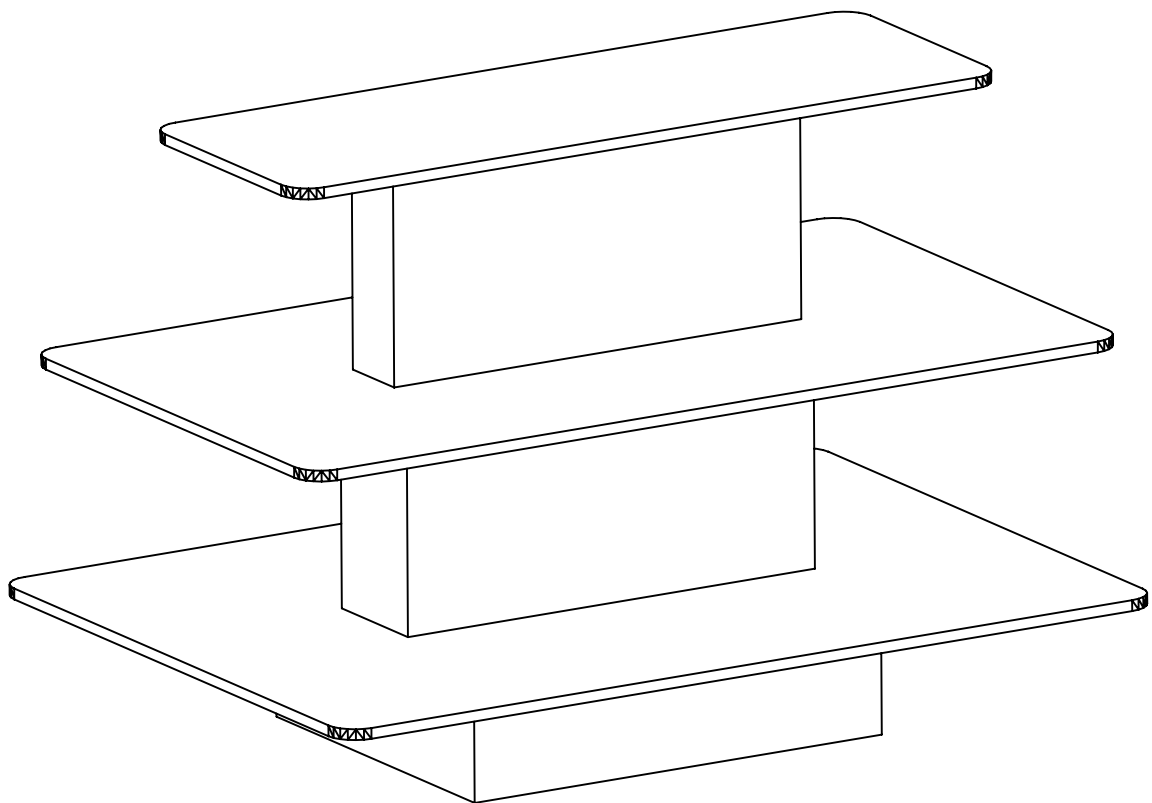


WD3RTMP

(3)

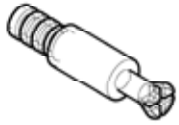


(4)



WD3RTMP

PARTS LIST



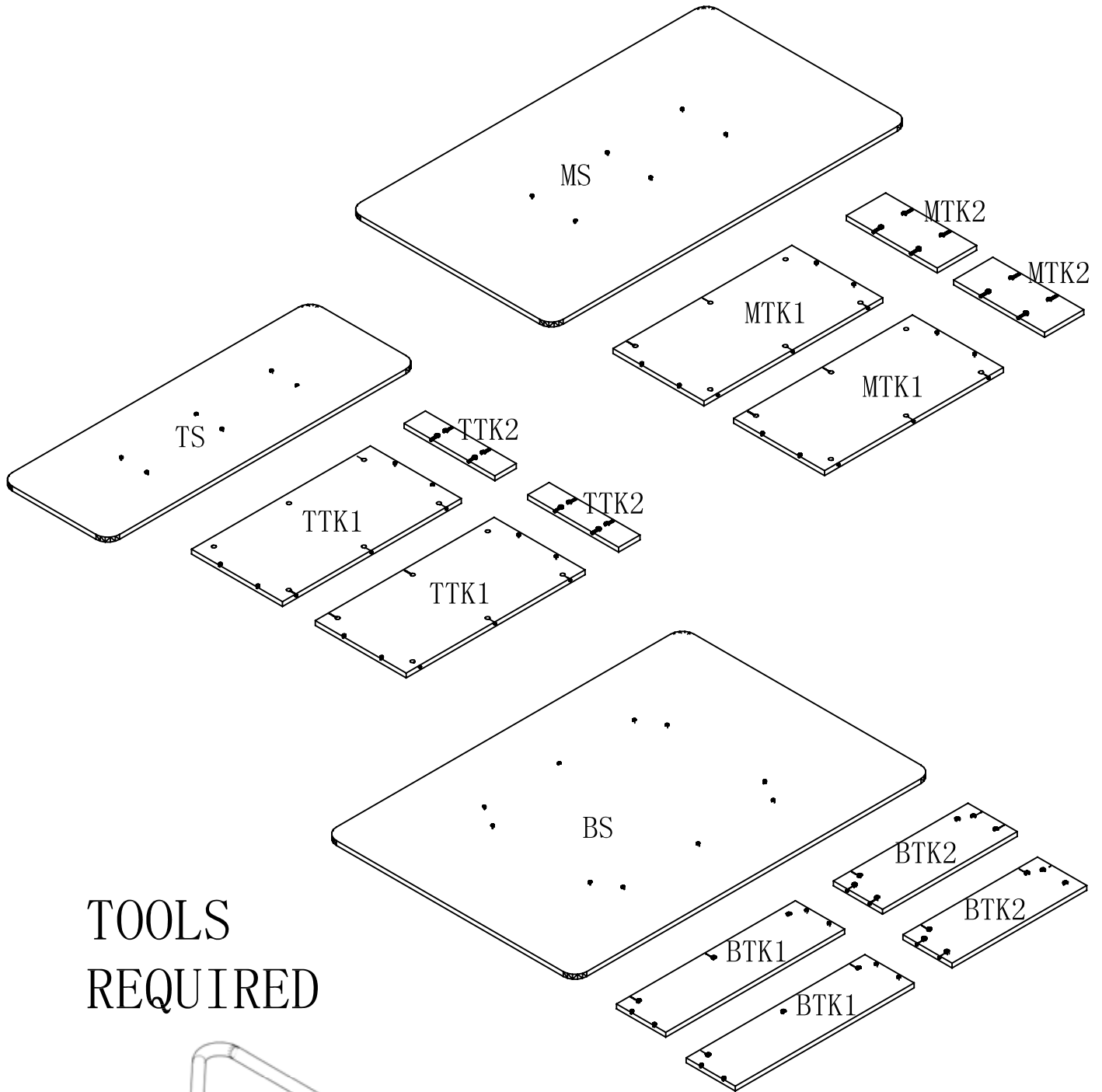
X66



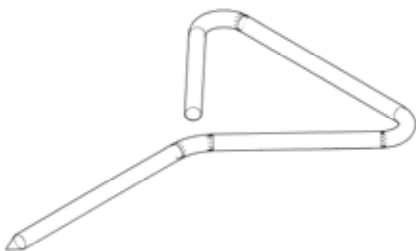
X66



X24



TOOLS
REQUIRED



WD3RTMP