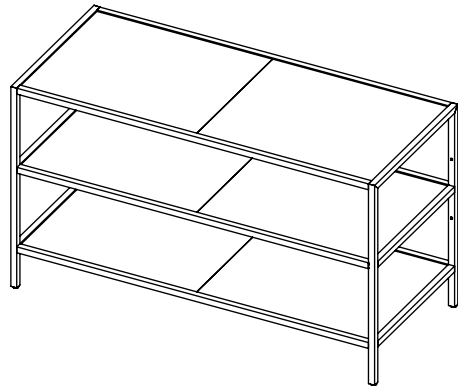
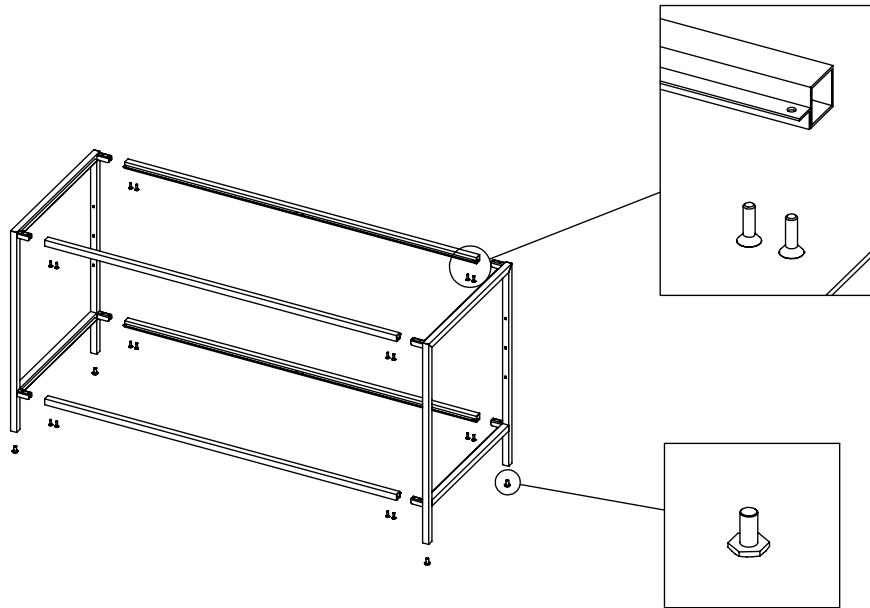


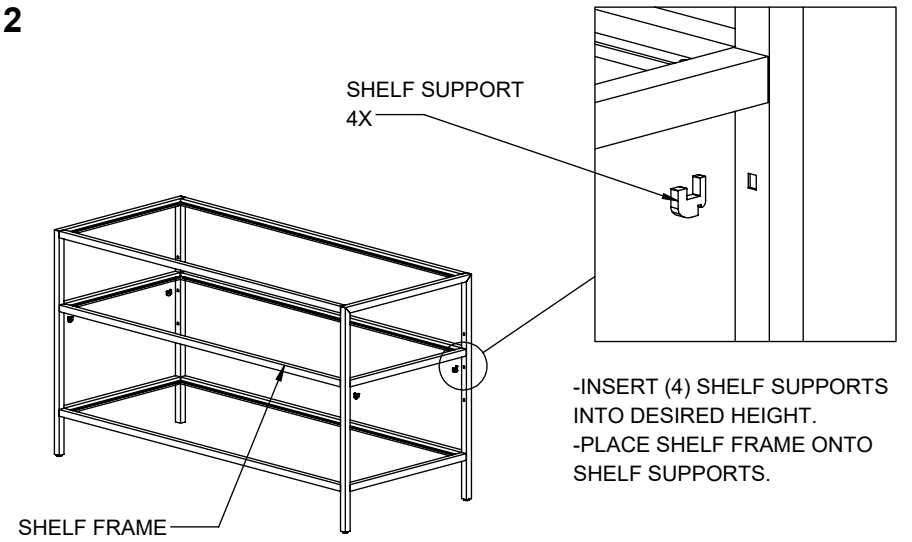
**ASSEMBLY
INSTRUCTIONS FOR:
LNTBL2**



1



2



3

