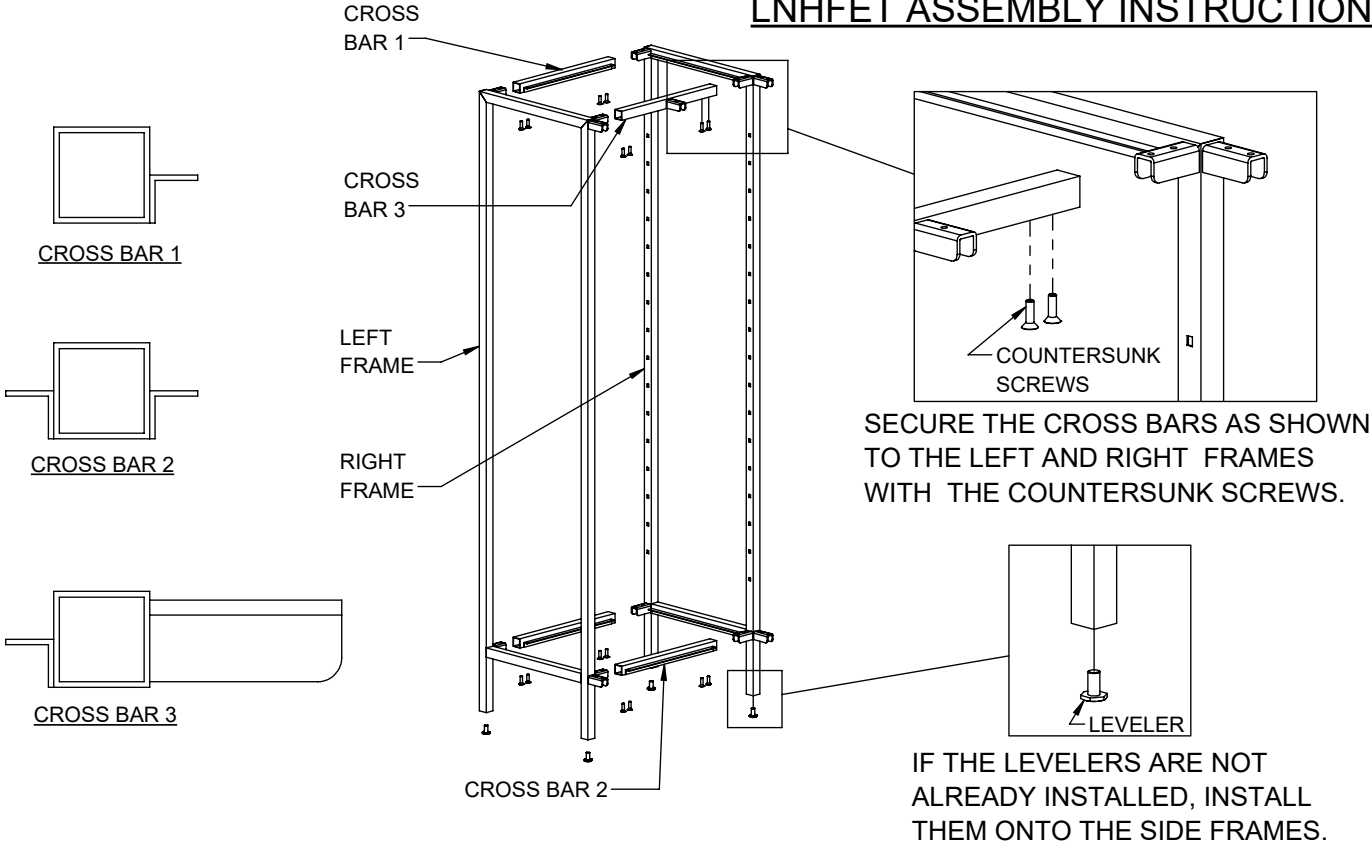
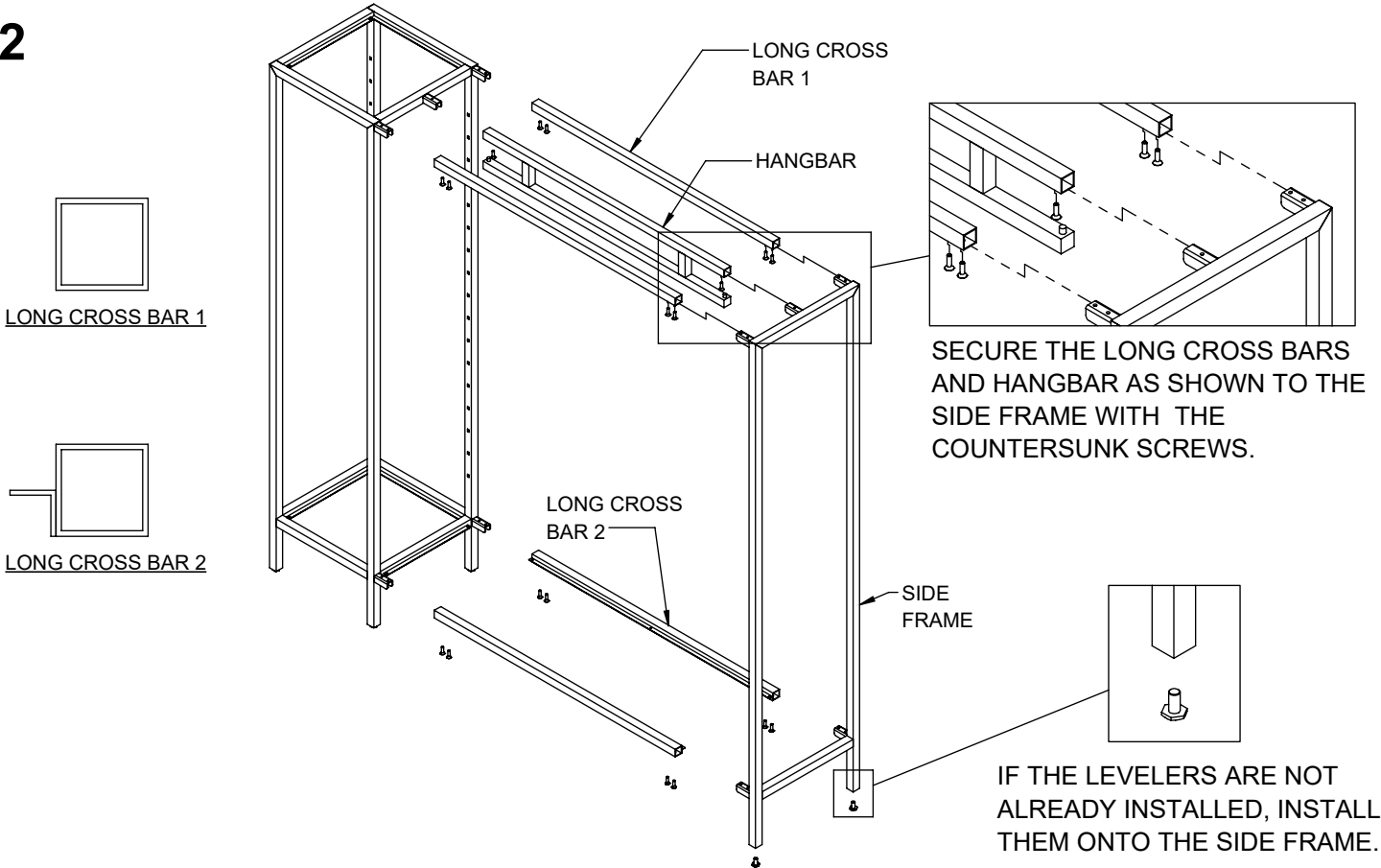


# LNHFET ASSEMBLY INSTRUCTIONS

1



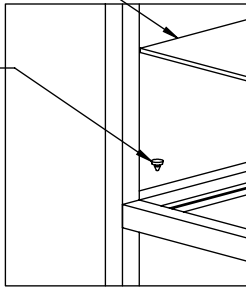
2



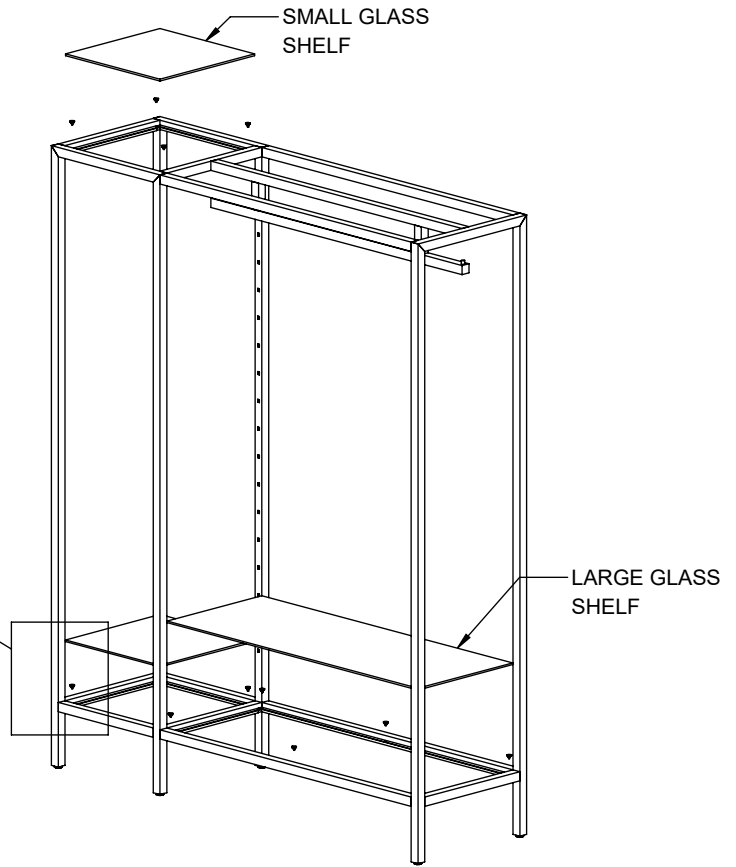
**3**

SMALL GLASS SHELF

GLASS BUMPER



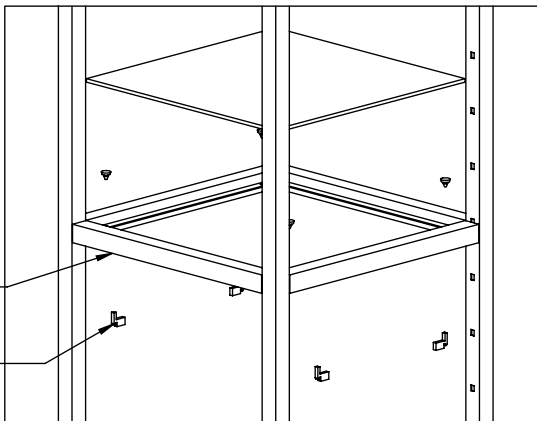
PUSH THE GLASS BUMPERS INTO THE L-CHANNELS ON THE ASSEMBLED FRAME AND DROP (2) OF THE SMALL GLASS SHELVES AND THE LARGE GLASS SHELF IN PLACE.



**4**

SHELF FRAME

SHELF SUPPORTS



INSERT (4) SHELF SUPPORTS INTO THE SQUARE HOLES IN THE UPRIGHTS OF THE LEFT AND RIGHT FRAMES AT THE SAME HEIGHT. THE SHELF FRAME CAN NOW BE DROPPED ONTO THE SHELF SUPPORTS. INSTALL GLASS BUMPERS AND A SMALL GLASS SHELF AS SHOWN. REPEAT WITH THE REMAINING SHELVES.

