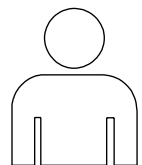
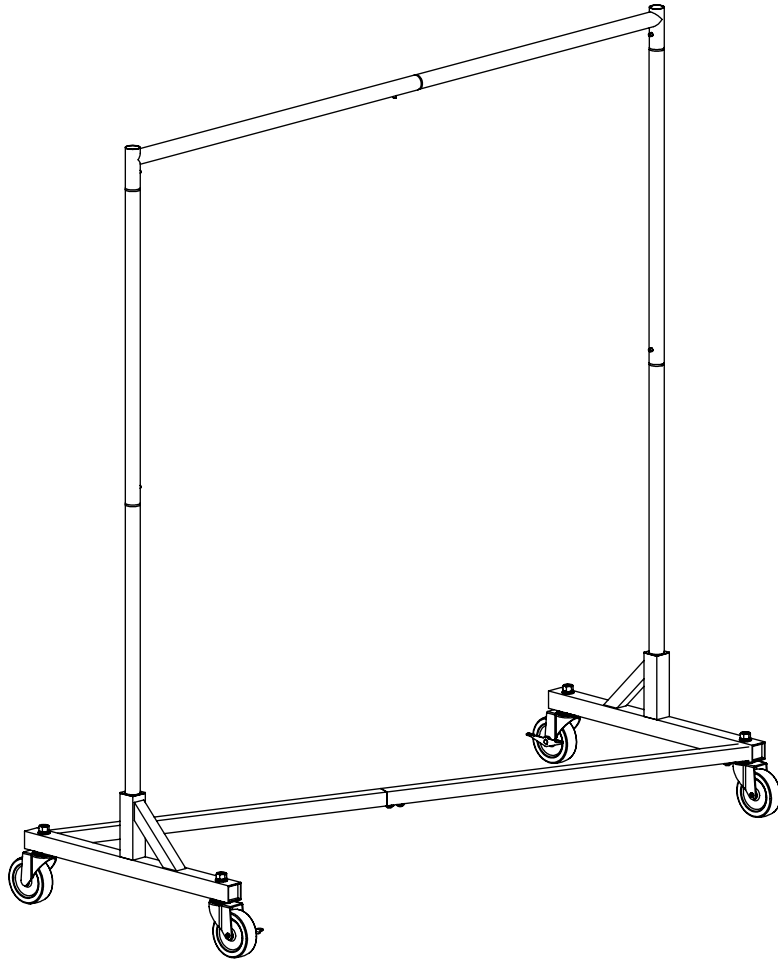


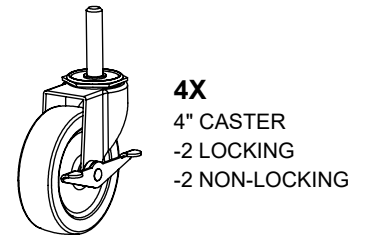
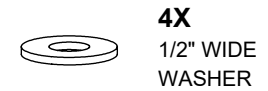
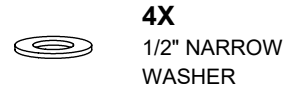
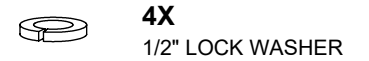
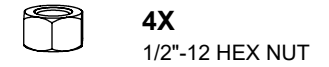
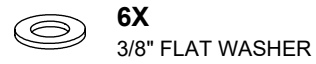
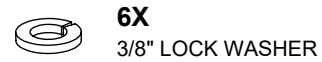
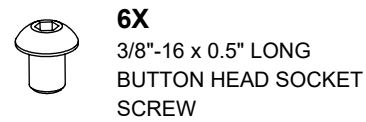
Z-Rack - Industrial Rack with Bolted Square Tubing Base

Item # RZK8, RZK8RNG

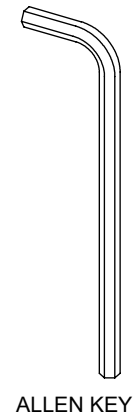
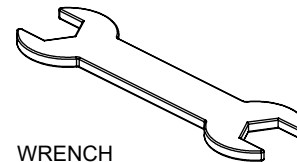


**2 PEOPLE
REQUIRED
FOR
ASSEMBLY**

INCLUDED HARDWARE



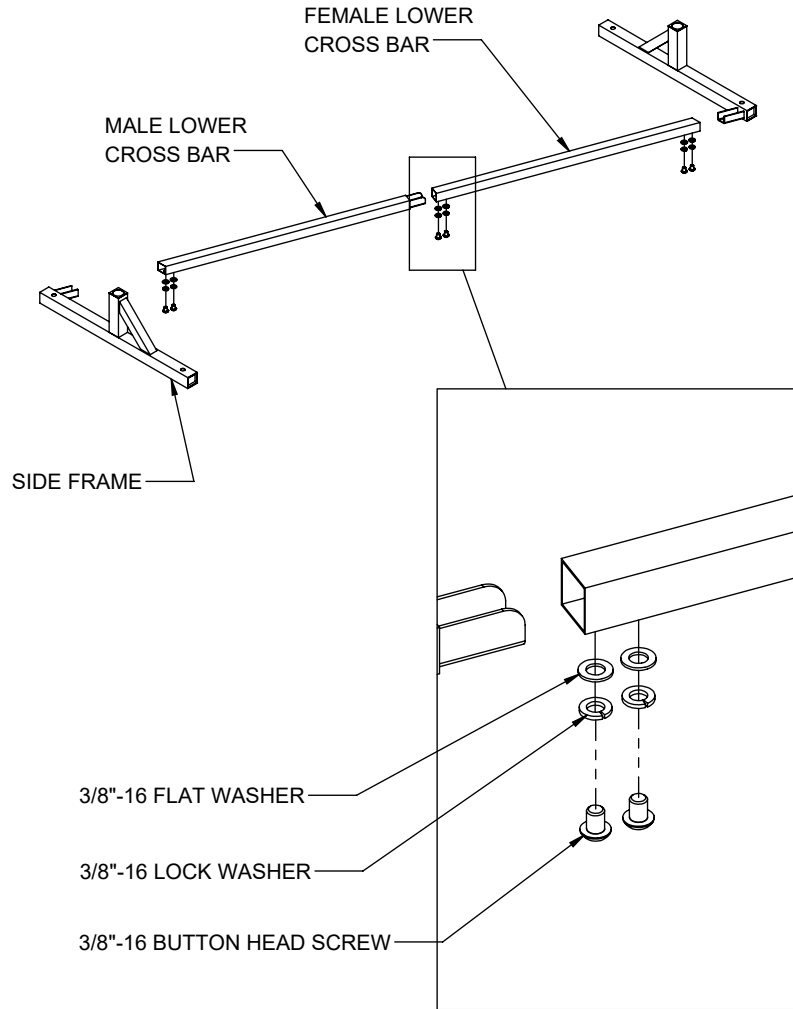
TOOLS REQUIRED



1

ASSEMBLE THE LOWER CROSS BAR HALVES WITH 3/8" BUTTON HEAD SCREWS, 3/8" LOCK WASHERS AND 3/8" WASHERS AS SHOWN. TIGHTEN WITH ALLEN KEY.

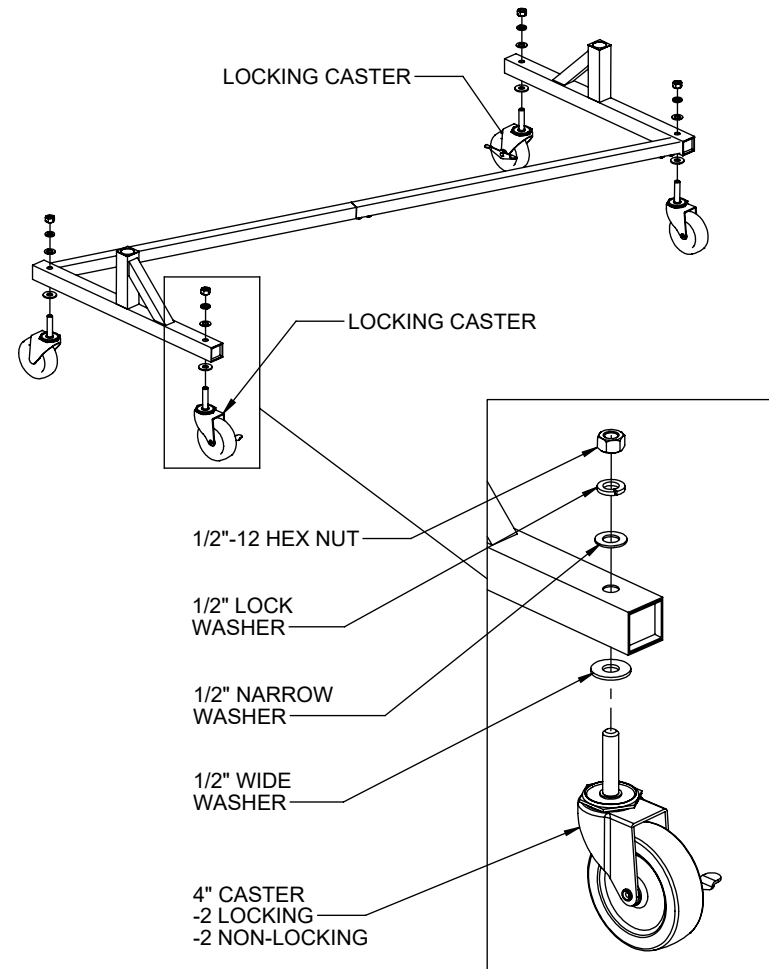
JOIN THE (2) SIDE FRAMES WITH THE ASSEMBLED CROSS BAR IN THE SAME MANNER AS SHOWN. TIGHTEN WITH ALLEN KEY.



2

ASSEMBLE CASTERS TO THE ASSEMBLED BASE WITH 1/2" WASHERS, 1/2" LOCK WASHERS, 1/2"-12 HEX NUTS AS SHOWN. USE THE WRENCH TO TIGHTEN THE NUT.

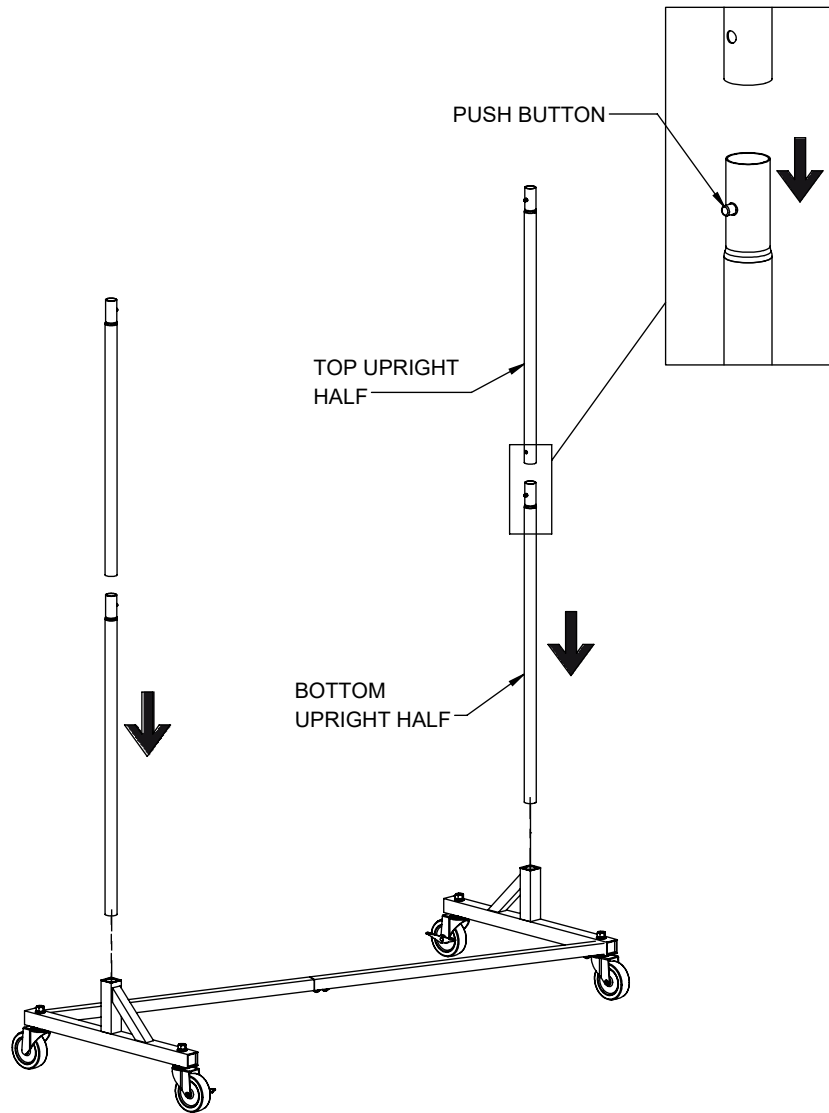
NOTE: CASTERS WITH BRAKES SHOULD BE INSTALLED IN OPPOSITE CORNERS AS SHOWN.



3

DEPRESS THE PUSH BUTTON ON THE BOTTOM UPRIGHT HALF AND JOIN WITH THE TOP UPRIGHT HALF. REPEAT FOR THE OTHER UPRIGHT.

INSERT UPRIGHTS INTO THE SIDE FRAMES AND ALIGN THE PUSH BUTTON TOWARDS THE CENTER.



4

DEPRESS THE PUSH BUTTON ON THE MALE HANG BAR HALF AND JOIN WITH THE FEMALE HANG BAR HALF AS SHOWN.

DEPRESS THE PUSH BUTTONS ON THE UPRIGHTS AND INSTALL THE ASSEMBLED HANG BAR ON THE UPRIGHTS AS SHOWN.

