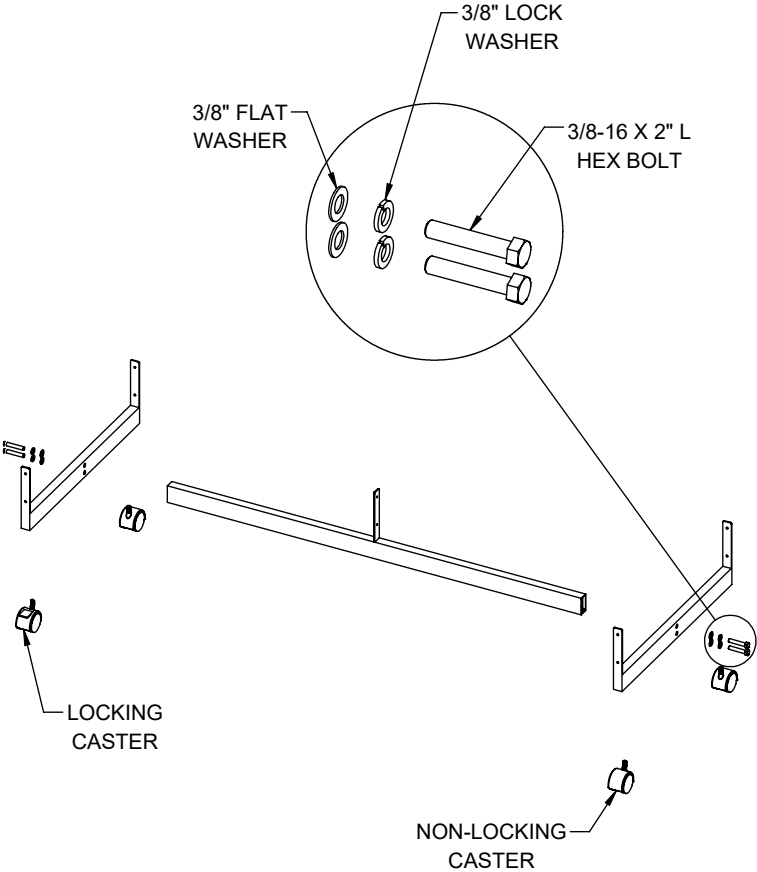


GONDOLA BASE W/ GRID PANELS

1

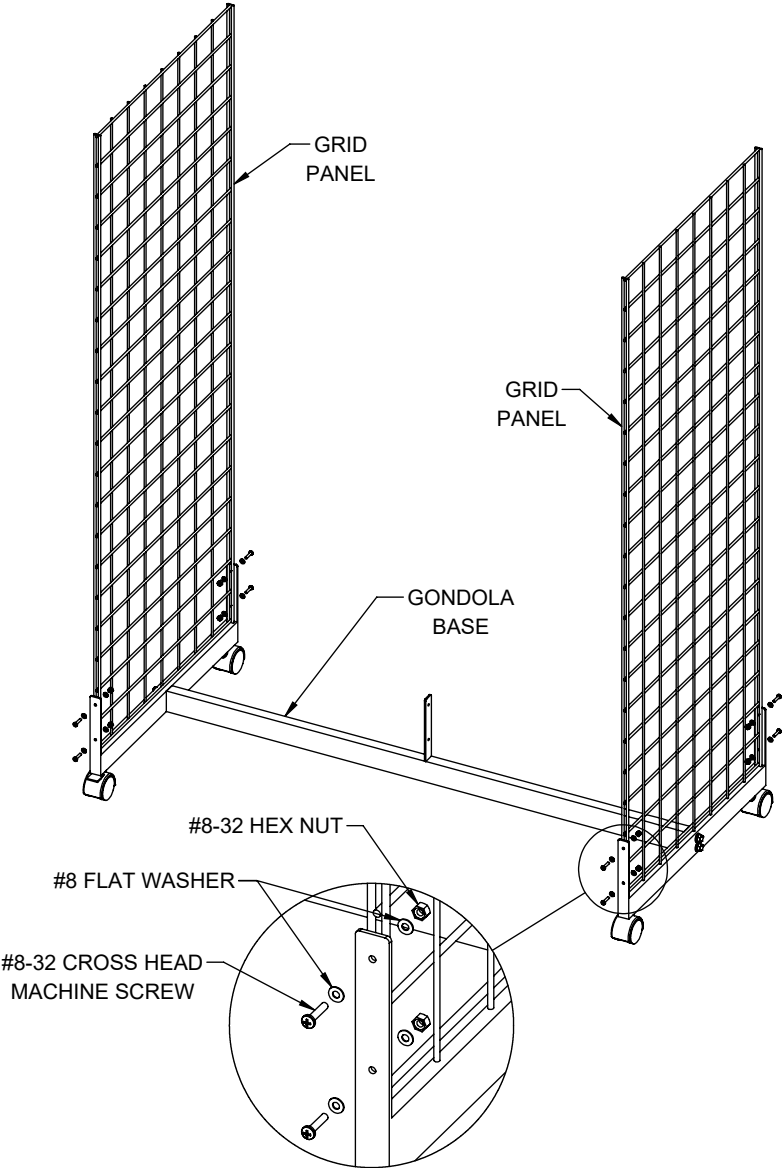
ASSEMBLE THE GONDOLA BASE USING (4) 3/8-16 X 2" L HEX BOLTS, (4) 3/8" FLAT WASHERS, AND (4) 3/8" LOCK WASHERS.

ENSURE THAT CASTERS ARE PROPERLY FASTENED INTO BASE



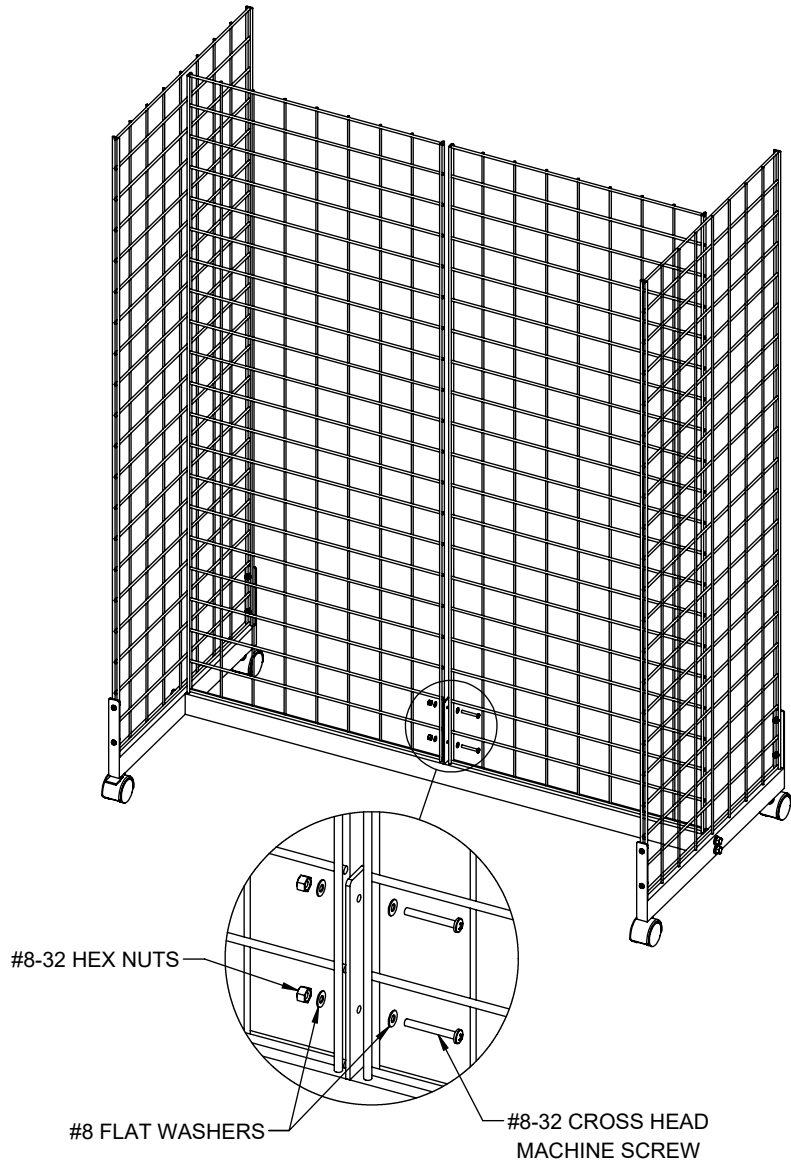
2

MOUNT SIDE GRID PANELS TO GONDOLA BASE USING (4) #8 CROSS HEAD MACHINE SCREWS, (8) #10 FLAT WASHERS, AND (4) #10-24 HEX NUTS PER PANEL.



3

MOUNT MIDDLE GRID PANELS TO GONDOLA BASE USING (2) #8 CROSS HEAD MACHINE SCREWS, (4) #10 FLAT WASHERS, AND (2) #10-24 HEX NUTS PER PANEL.



4

MOUNT ALL OF THE GRID PANELS TOGETHER USING (9) GRID CLIPS.

