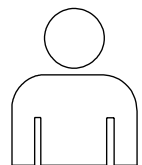
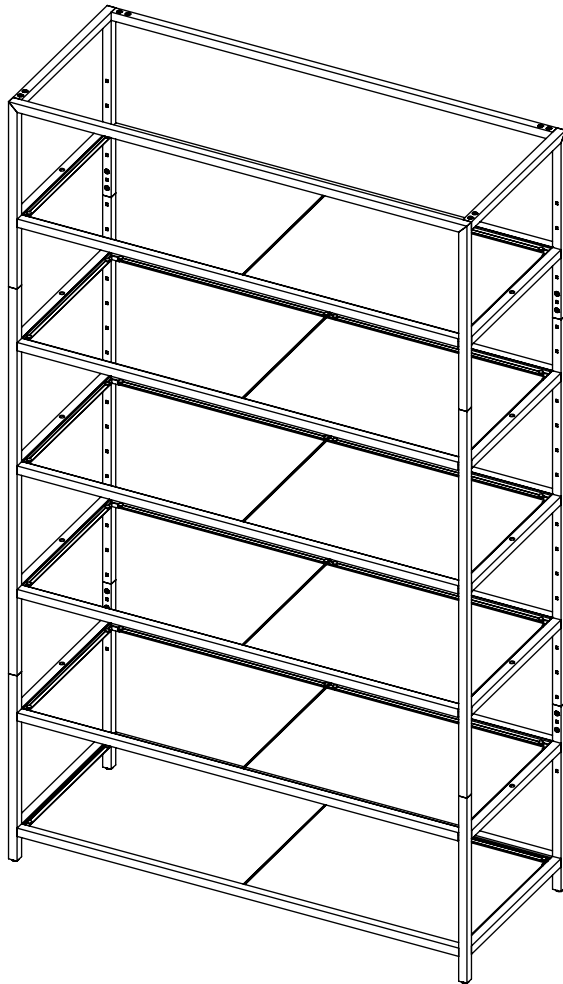


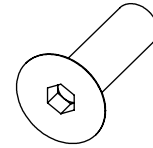
SHALLOW DEPTH TALL MERCHANTISER W/ SHELVES

ITEM # DDFS92(F)

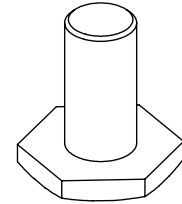


**2 PEOPLE
REQUIRED
FOR
ASSEMBLY**

INCLUDED HARDWARE

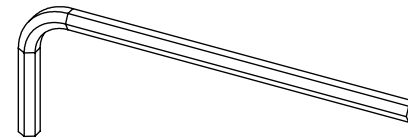


32X
1/4\"-20 x 7/8\" LONG
CSK SOCKET HEAD SCREW



4X
3/8-16 X 1\" LEVELER

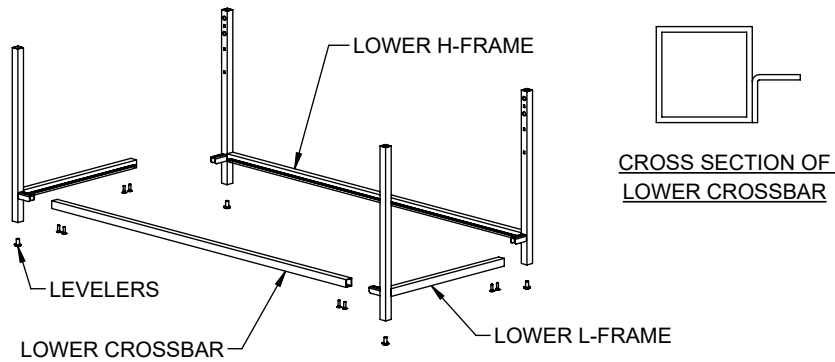
TOOLS REQUIRED



ALLEN KEY

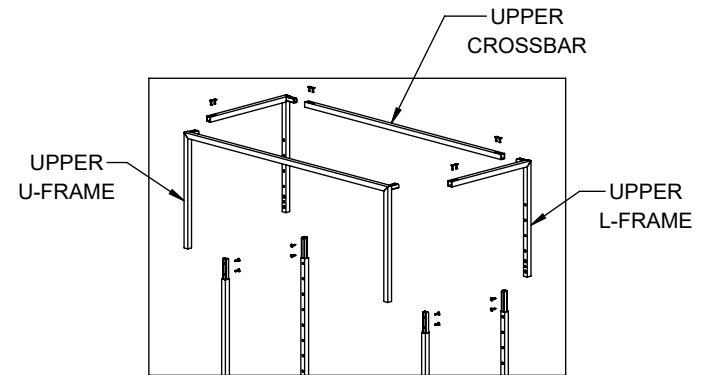
1

- INSTALL LEVELERS ONTO THE LOWER L-FRAMES AND LOWER H-FRAME IF THEY ARE NOT ALREADY INSTALLED.
- ASSEMBLE THE LOWER L-FRAMES WITH THE LOWER CROSS BAR AS SHOWN.
- COMPLETE THE LOWER FRAME BY JOINING THE ASSEMBLY FROM THE PREVIOUS STEP TO THE LOWER H-FRAME.



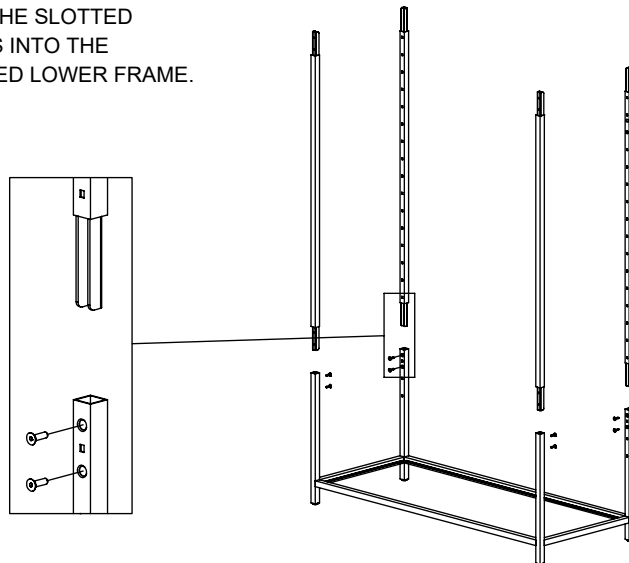
3

- ASSEMBLE THE UPPER L-FRAMES WITH THE UPPER CROSS BAR AS SHOWN.
- COMPLETE THE UPPER FRAME BY JOINING THE ASSEMBLY FROM THE PREVIOUS STEP TO THE UPPER U-FRAME.
- INSTALL THE ASSEMBLED UPPER FRAME ONTO THE UPRIGHTS.
- **NOTE: THE UPPER AND LOWER L-FRAMES SHOULD BE IN OPPOSITE CORNERS WHEN ASSEMBLED CORRECTLY.**



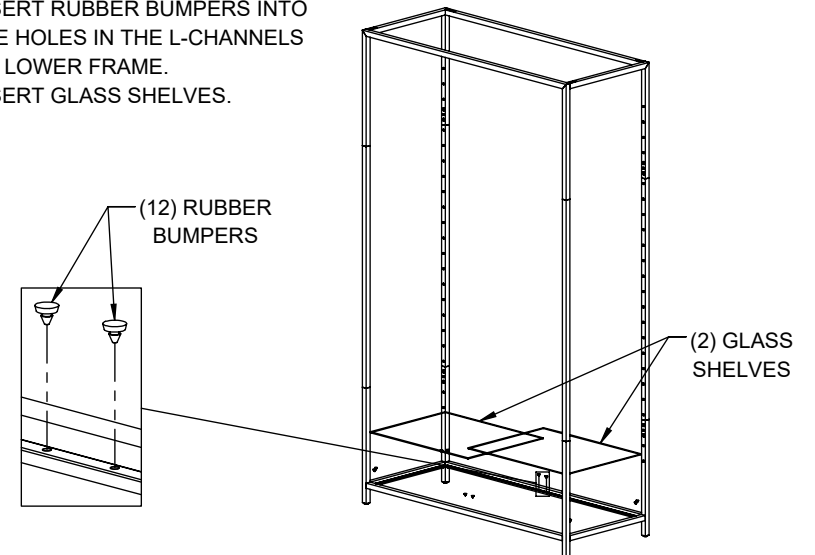
2

- INSTALL THE SLOTTED UPRIGHTS INTO THE ASSEMBLED LOWER FRAME.



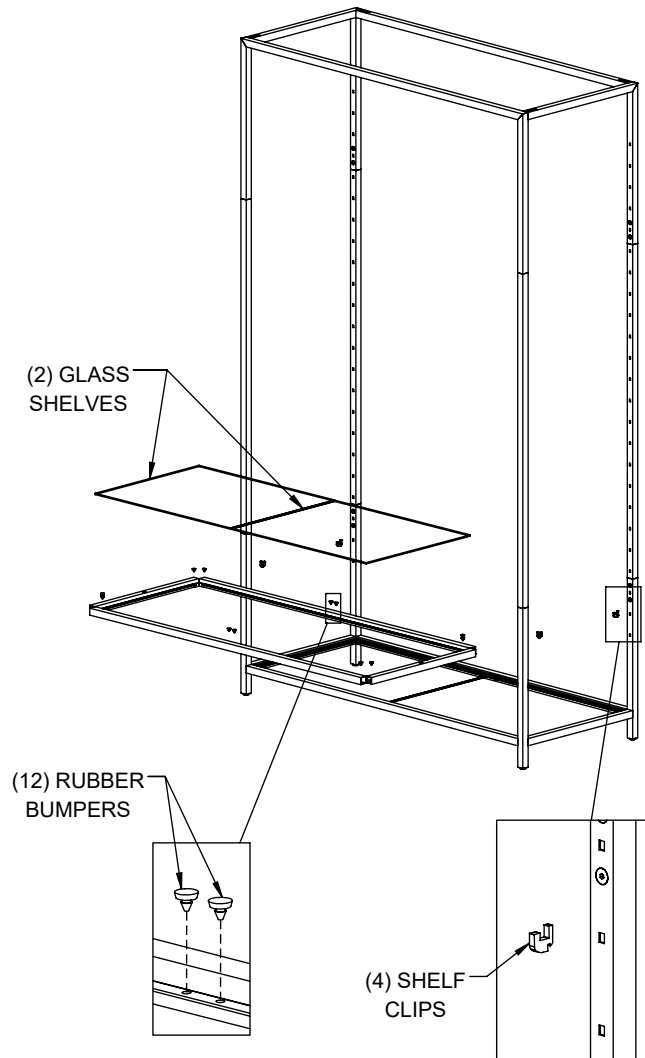
4

- INSERT RUBBER BUMPERS INTO THE HOLES IN THE L-CHANNELS ON LOWER FRAME.
- INSERT GLASS SHELVES.



5

- INSTALL SHELF AT DESIRED HEIGHT USING SHELF CLIPS.
- INSERT RUBBER BUMPERS INTO THE HOLES IN THE L-CHANNELS ON LOWER FRAME.
- INSERT GLASS SHELVES.



6

- REPEAT STEP 5 FOR REMAINING SHELVES.
- ASSEMBLY IS NOW COMPLETE.

