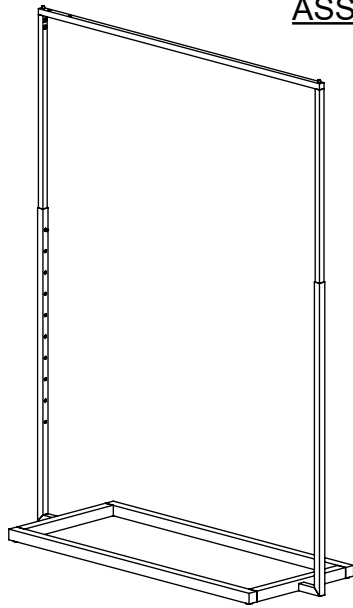
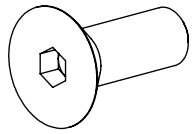


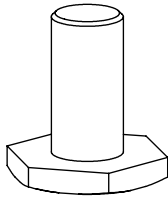
**ASSEMBLY INSTRUCTIONS:
LNBBEADJ**



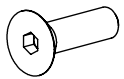
INCLUDED HARDWARE



LARGE
COUNTERSUNK BOLT
QTY. 8



3/8" LEVELERS
QTY. 4



SMALL
COUNTERSUNK BOLT
QTY. 4

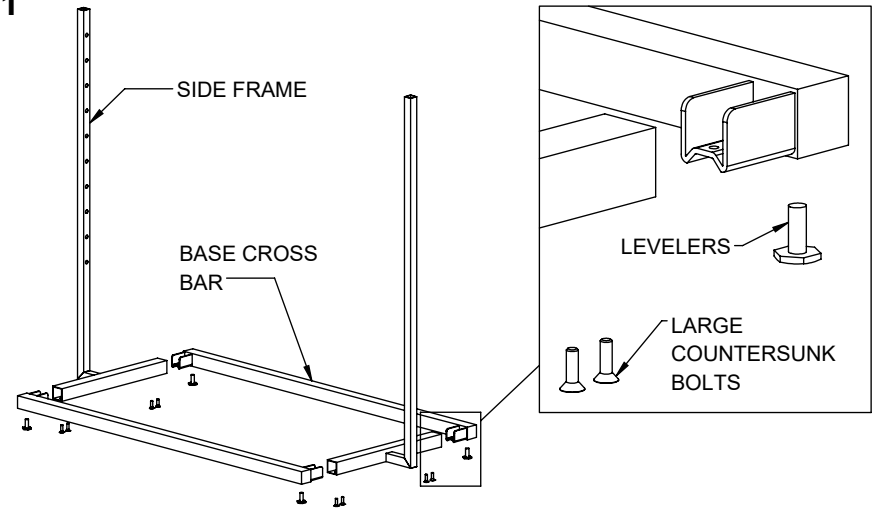


LARGE ALLEN
KEY
QTY. 1



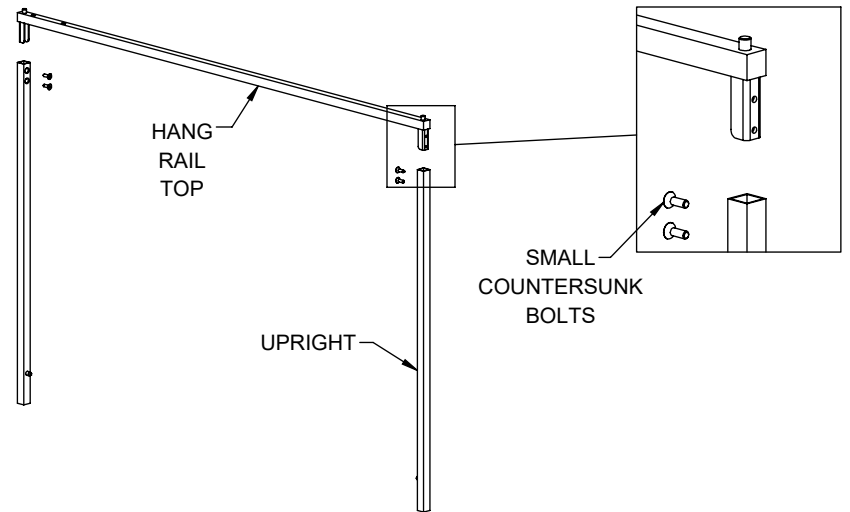
SMALL ALLEN
KEY
QTY. 1

1



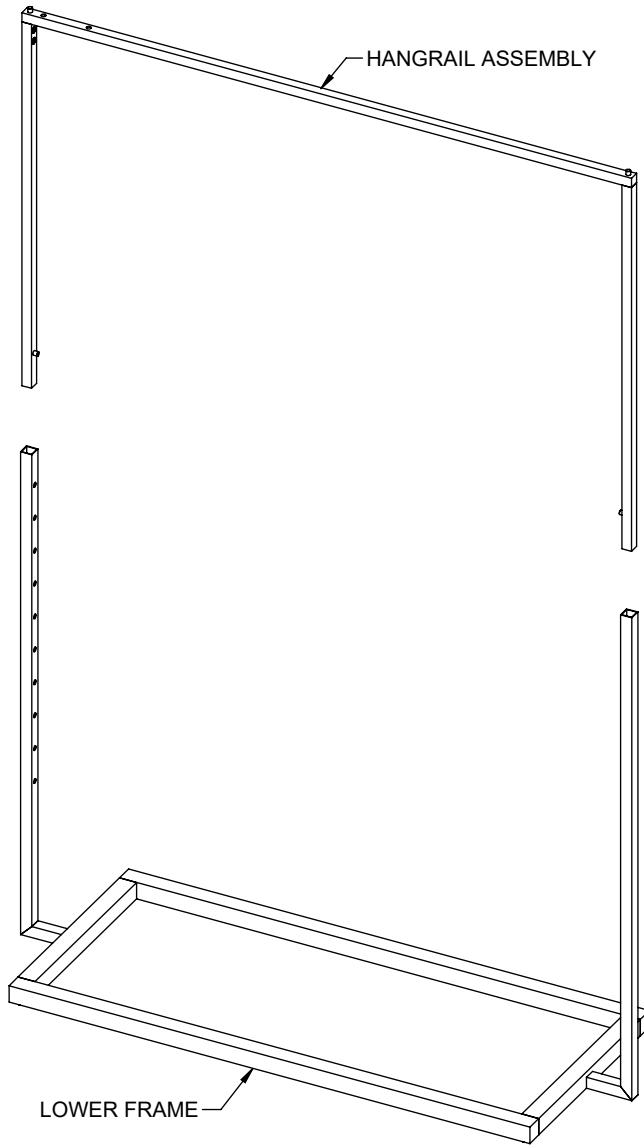
- IF THEY ARE NOT ALREADY INSTALLED, THREAD LEVELERS INTO BASE CROSS BARS.
- JOIN UPRIGHTS TO BASE CROSS BARS WITH LARGE COUNTERSUNK BOLTS. TIGHTEN WITH LARGE ALLEN KEY.

2



- DROP HANG RAIL TOP ONTO UPRIGHTS AND SECURE WITH SMALL COUNTERSUNK BOLTS. TIGHTEN WITH SMALL ALLEN KEY.

3



- DROP HANGRAIL ASSEMBLY INTO LOWER FRAME UPRIGHTS AND ALLOW PUSH BUTTON TO SNAP INTO PLACE AT DESIRED HEIGHT.