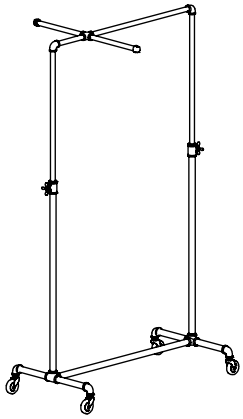
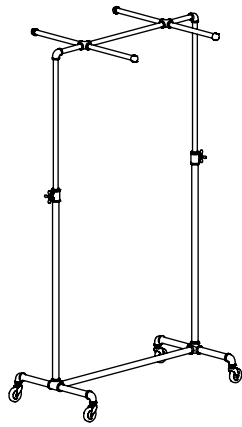


**ASSEMBLY  
INSTRUCTIONS FOR:  
PSBBCB1ADJ,  
PSBBCB2ADJ**

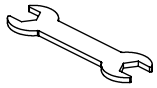


**PSBBCB1ADJ  
ASSEMBLED VIEW**



**PSBBCB2ADJ  
ASSEMBLED VIEW**

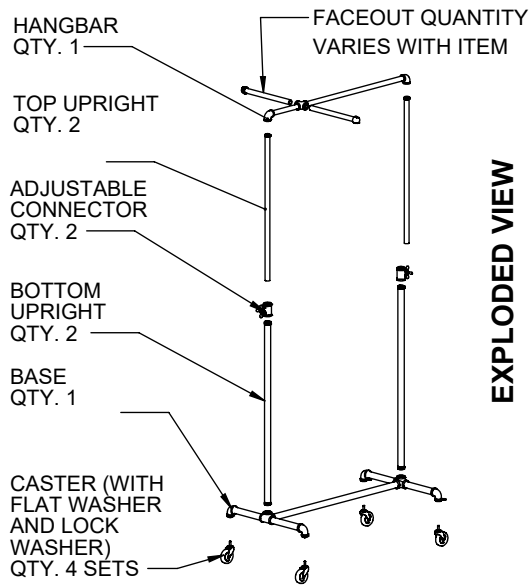
**TOOLS INCLUDED**



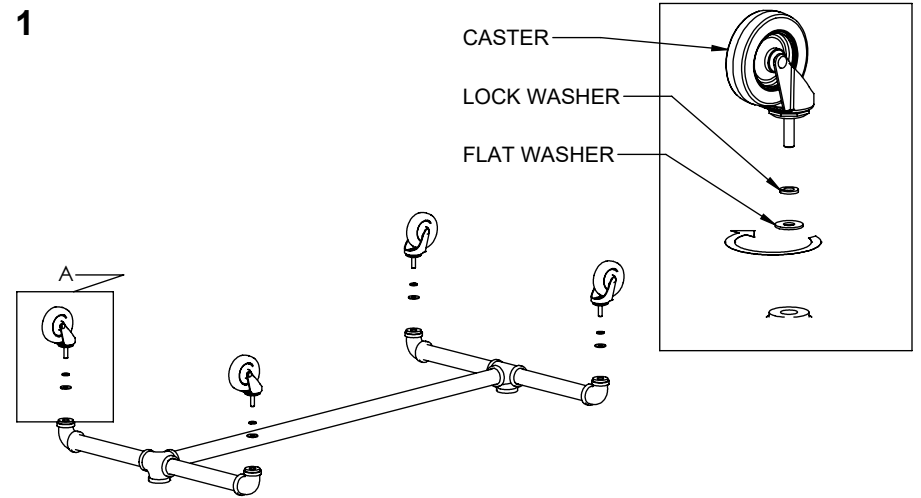
WRENCH



ALLEN KEY

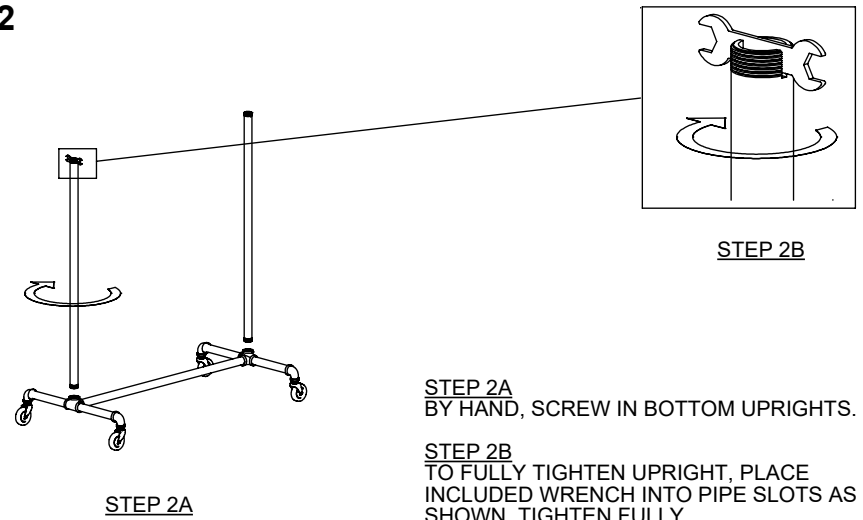


**1**



SCREW IN THE CASTERS TO THE BASE AS SHOWN USING PROVIDED WRENCH.

**2**

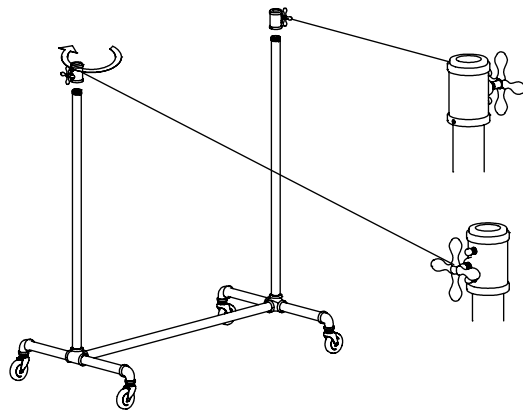
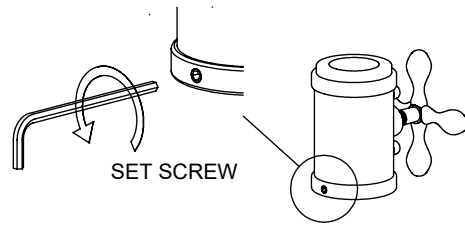


STEP 2A  
BY HAND, SCREW IN BOTTOM UPRIGHTS.

STEP 2B  
TO FULLY TIGHTEN UPRIGHT, PLACE INCLUDED WRENCH INTO PIPE SLOTS AS SHOWN. TIGHTEN FULLY

3

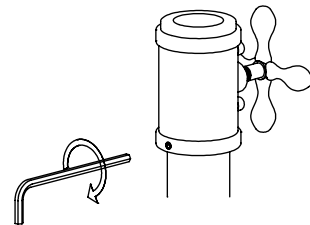
WITH ALLEN KEY, SLIGHTLY BACK OUT SET SCREWS ON ADJUSTABLE CONNECTOR.



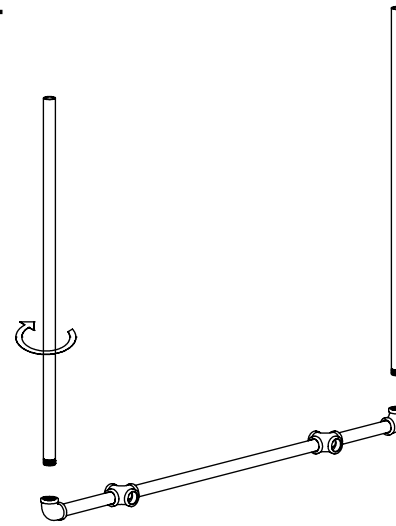
BY HAND, SCREW ADJUSTABLE CONNECTOR TO BOTTOM UPRIGHTS.

ADJUST SO THAT HAND WHEELS ALIGN TO THE OUTSIDE (AS SHOWN ON THE LEFT.)

TIGHTEN SET SCREW USING THE ALLEN KEY TO LOCK ADJUSTABLE CONNECTOR IN PLACE.

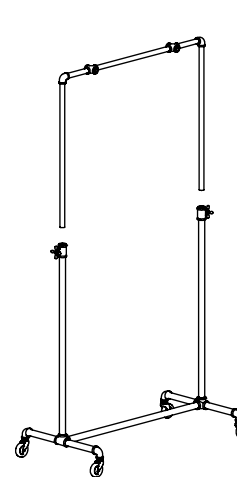


4



BY HAND, SCREW TOP UPRIGHTS TO HANGBAR.

5



LOOSEN

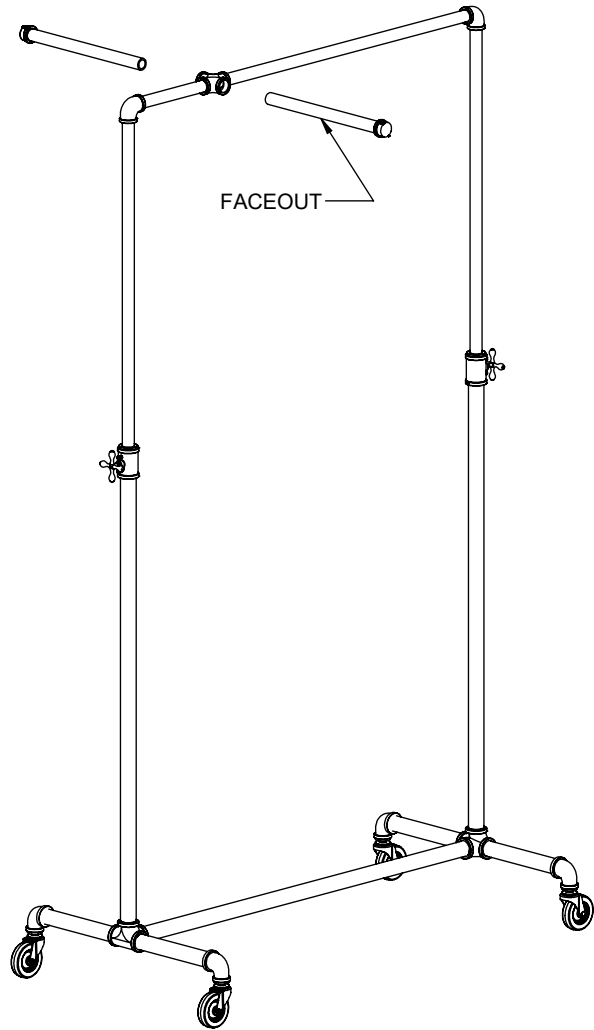


TIGHTEN

- LOOSEN HAND WHEEL ON BOTH SIDES
- DROP HANGBAR INTO DESIRED HEIGHT
- LOCK IN POSITION BY TIGHTENING THE HAND WHEEL ON BOTH SIDES

**COMPLETE ASSEMBLY BY SCREWING IN FACEOUTS**

**PSBBCB1ADJ**



**PSBBCB2ADJ**

