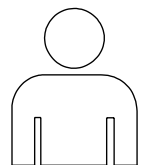
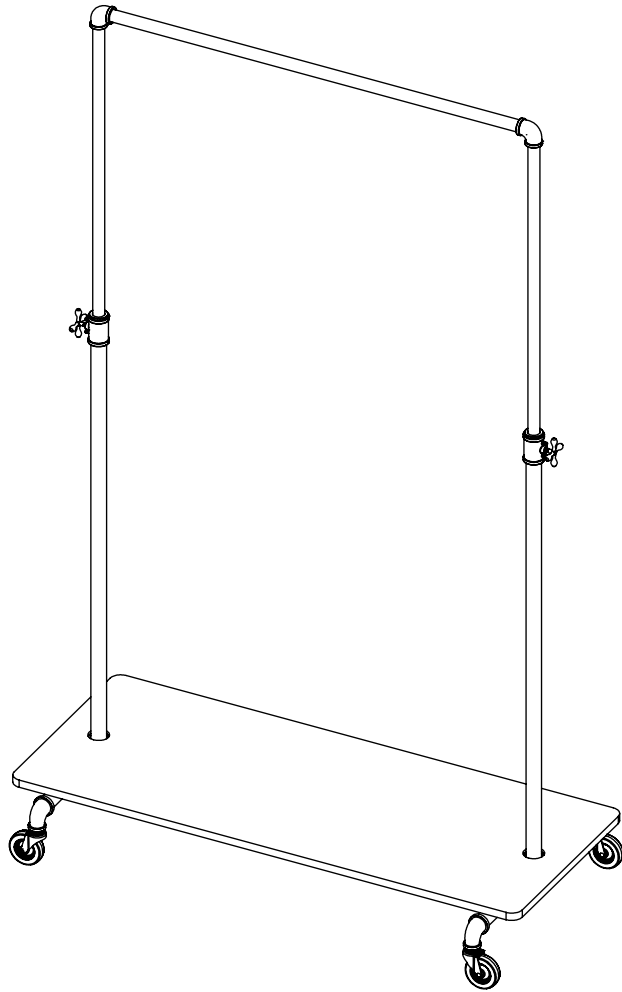


ADD-ON SHELF FOR PIPELINE ADJUSTABLE BALLET RACK

Item # PSBBADJS(F)

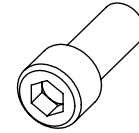


**2 PEOPLE
REQUIRED
FOR
ASSEMBLY**

INCLUDED HARDWARE

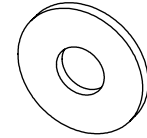
4X

1/4"-20 X 5/8" LONG
SOCKET HEAD CAP SCREW



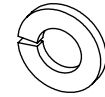
4X

1/4" FLAT WASHER

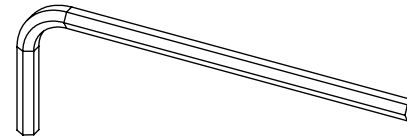


4X

1/4" LOCK WASHER



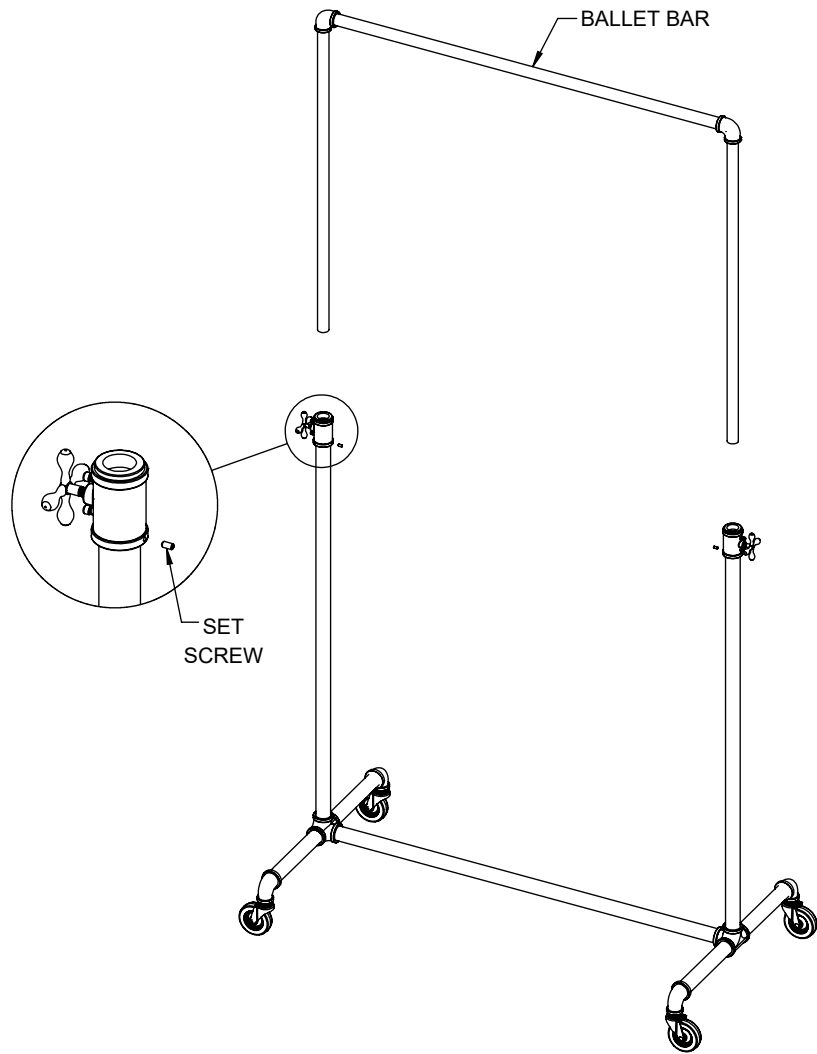
TOOLS REQUIRED



ALLEN KEY

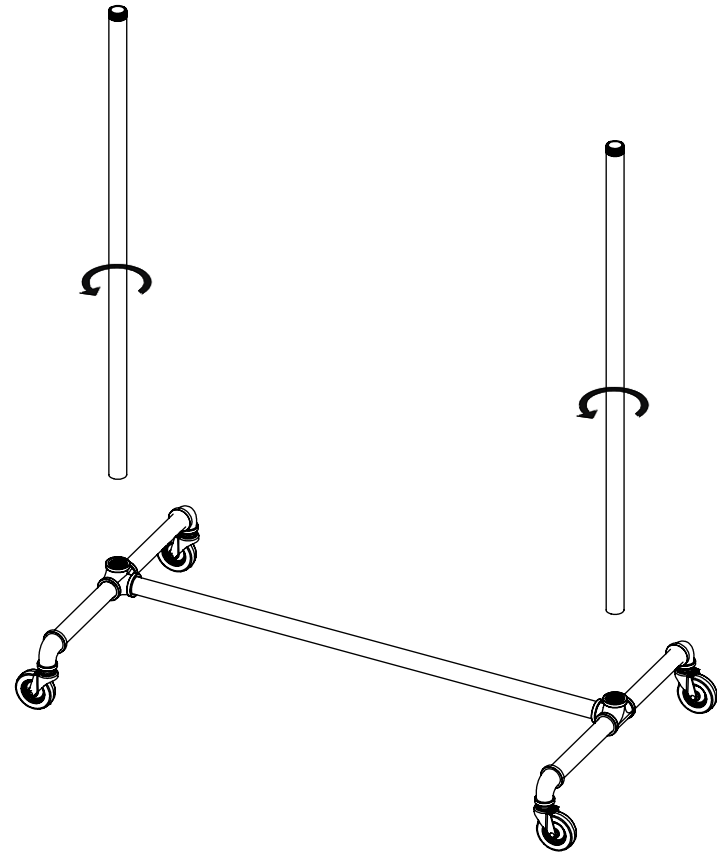
1

LOOSEN THE HANDLES AND REMOVE THE BALLET BAR. THEN UNSCREW THE SET SCREWS, AND TWIST OFF THE FITTINGS.



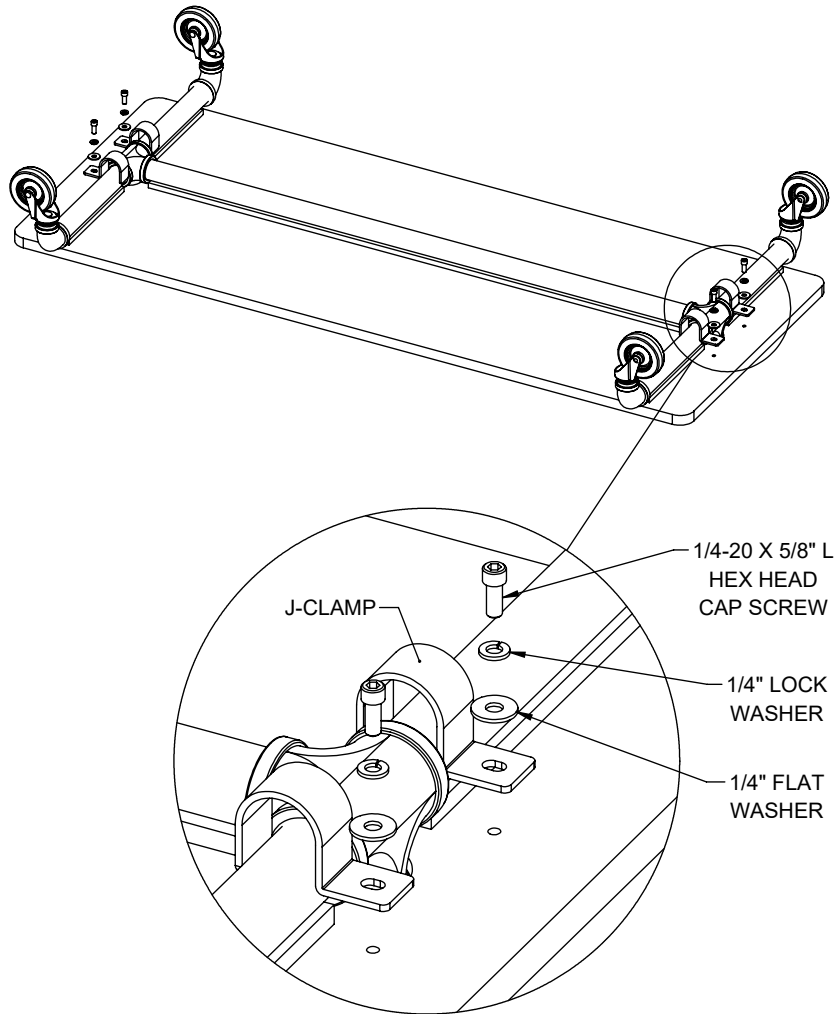
2

UNSCREW THE LOWER UPRIGHTS FROM THE BASE.



3

PLACE THE SHELF PANEL UPSIDE DOWN ON A SOFT SURFACE, AND HOLD THE BASE FRAME IN PLACE ON TOP. SECURE THE SHELF PANEL TO THE LOWER CROSSBARS USING (4) J-CLAMPS. EACH J-CLAMP IS SECURED USING (1) 1/4-20 X 5/8" L SOCKET HEAD CAP SCREW, (1) 1/4" LOCK WASHER, AND (1) 1/4" FLAT WASHER.



4

SCREW THE LOWER UPRIGHTS BACK INTO THE BASE. TWIST THE FITTINGS BACK ONTO THE LOWER UPRIGHTS. MAKE SURE THE HANDLES ARE FACING OUTWARD AND TIGHTEN THE SET SCREWS. THEN, REINSTALL THE BALLET BAR.

