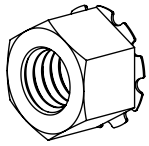
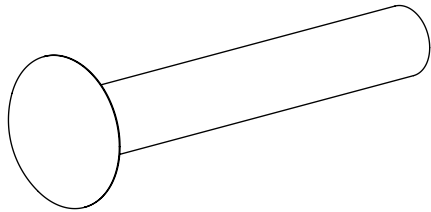


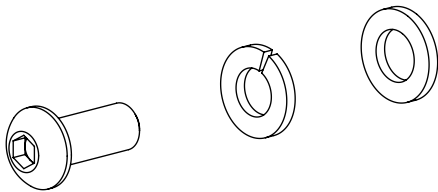
ITEM #DDKIT1PP
 PRIVACY PANEL KIT FOR ITEM #DDKIT1



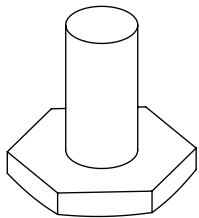
1X
 3/8"-16 WASHER NUT WITH TEETH



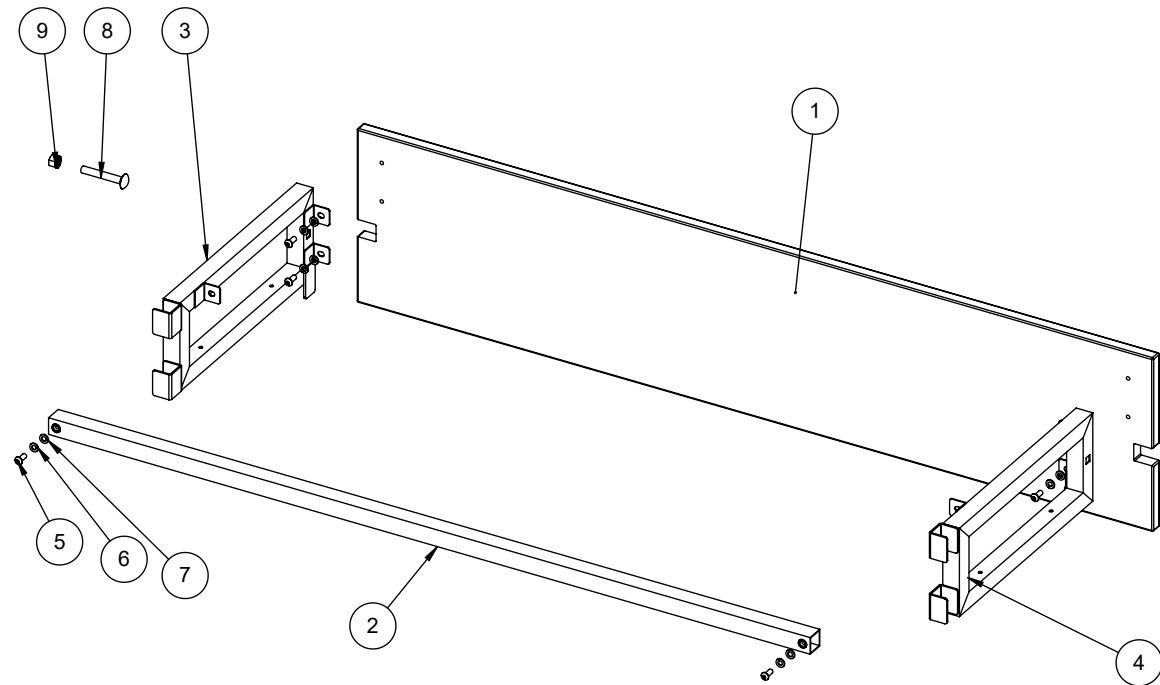
1X
 3/8"-16 X 2.5 LONG
 ROUND SQUARE NECK BOLT



6X
 1/4-20 X 0.625" LONG
 SOCKET BUTTON HEAD SCREW
 WITH WASHERS

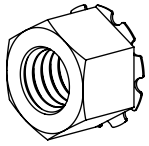


4X
 3/8-16 x 0.75" LONG THREADED
 METAL LEVELER

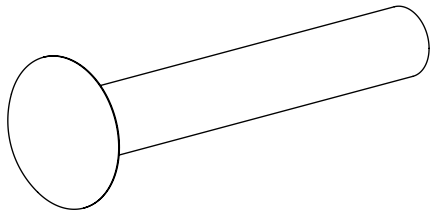


ITEM NO.	PART NUMBER	DESCRIPTION	QTY.
1	PP-WD	WOOD PANEL	1
2	PP-CB	CROSSBAR	1
3	PP-FRAME-RIGHT	RIGHT SIDE FRAME	1
4	PP-FRAME-LEFT	LEFT SIDE FRAME	1
5	SBHCSCREW 0.25-20x0.625-HX-N	1/4-20 X 0.625" LONG SOCKET BUTTON HEAD SCREW	6
6	Regular LW 0.25	1/4 SPRING LOCK WASHER	6
7	Narrow FW 0.25	1/4 NARROW WASHER	6
8	RHSSNBOLT 0.375-16x2.5x1-N	3/8"-16 X 2.5 LONG ROUND SQUARE NECK BOLT	1
9	WASHER NUT	3/8" WASHER NUT WITH TEETH	1

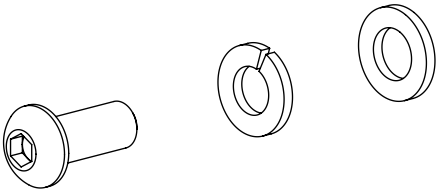
ITEM #DDKIT2PP
 PRIVACY PANEL KIT FOR ITEM #DDKIT2



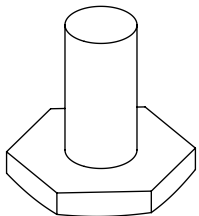
2X
 3/8"-16 WASHER NUT WITH TEETH



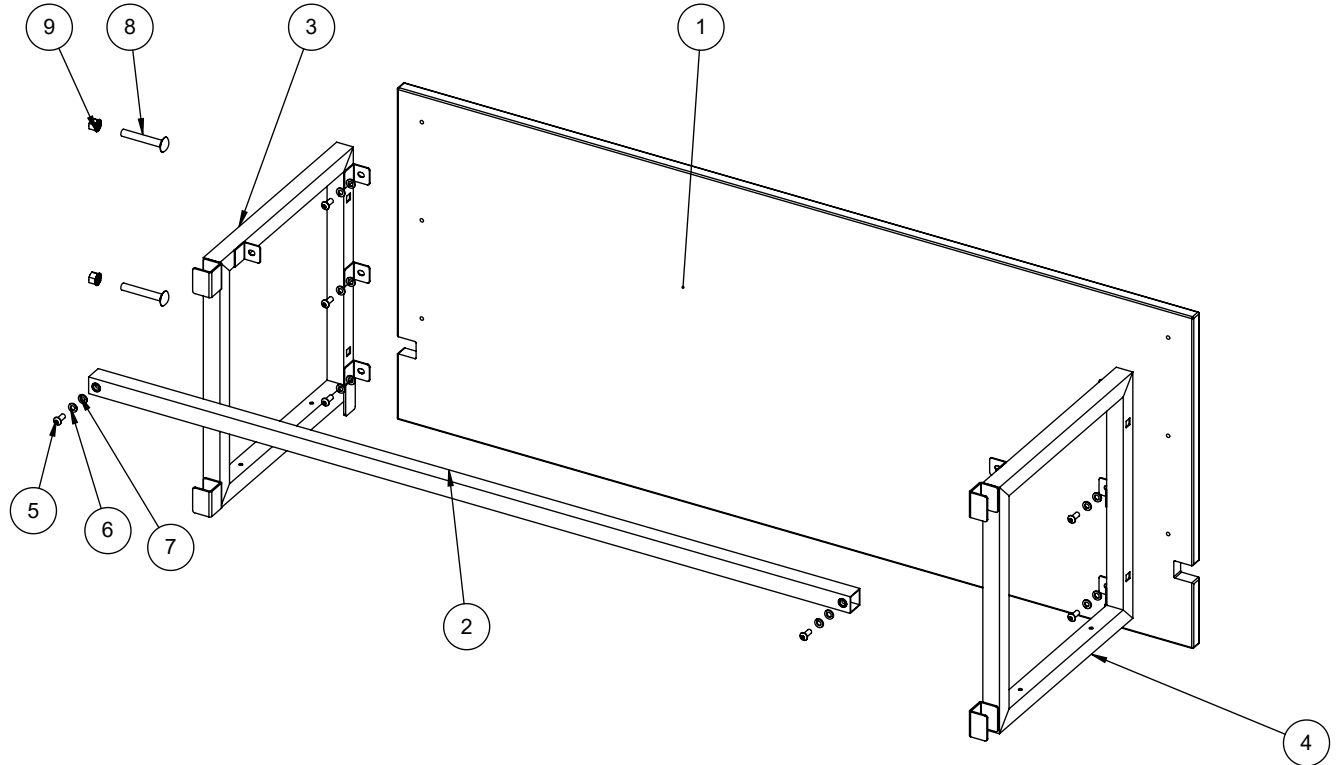
2X
 3/8"-16 X 2.5 LONG
 ROUND SQUARE NECK BOLT



8X
 1/4-20 X 0.625" LONG
 SOCKET BUTTON HEAD SCREW
 WITH WASHERS

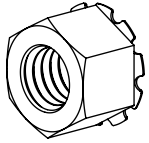


4X
 3/8-16 x 0.75" LONG THREADED
 METAL LEVELER

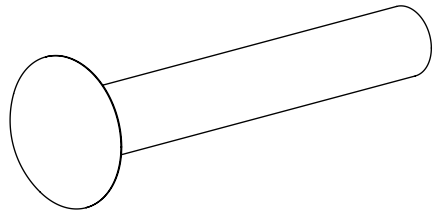


ITEM NO.	PART NUMBER	DESCRIPTION	QTY.
1	PP-WD	WOOD PANEL	1
2	PP-CB	CROSSBAR	1
3	PP-FRAME-RIGHT	RIGHT SIDE FRAME	1
4	PP-FRAME-LEFT	LEFT SIDE FRAME	1
5	SBHCSCREW 0.25-20x0.625-HX-N	1/4-20 X 0.625" LONG SOCKET BUTTON HEAD SCREW	8
6	Regular LW 0.25	1/4 SPRING LOCK WASHER	8
7	Narrow FW 0.25	1/4 NARROW WASHER	8
8	RHSSNBOLT 0.375-16x2.5x1-N	3/8"-16 X 2.5 LONG ROUND SQUARE NECK BOLT	2
9	WASHER NUT	3/8" WASHER NUT WITH TEETH	2

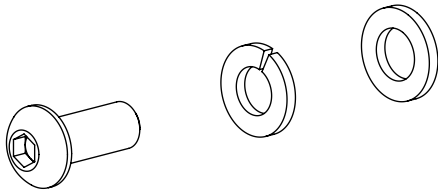
ITEM #DDKIT3PP
 PRIVACY PANEL KIT FOR ITEM #DDKIT3



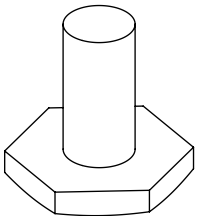
2X
 3/8"-16 WASHER NUT WITH TEETH



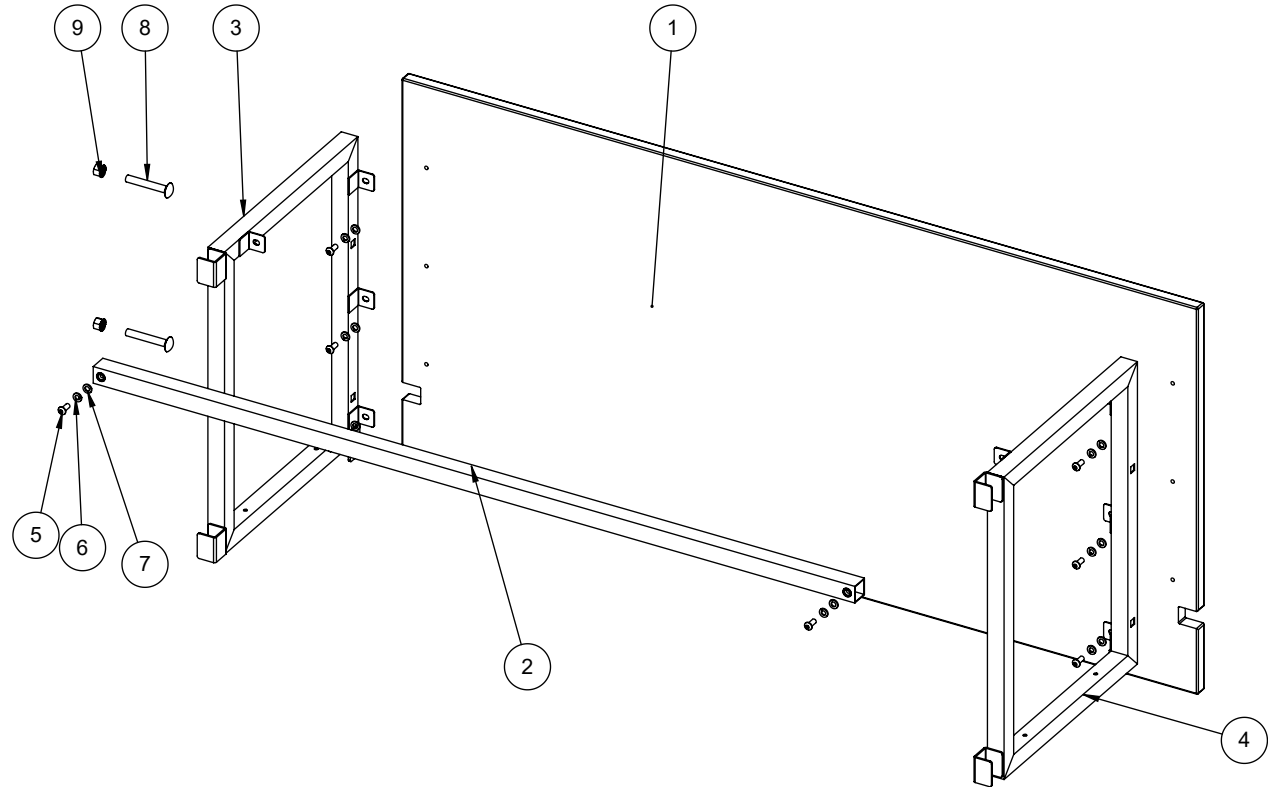
2X
 3/8"-16 X 2.5 LONG
 ROUND SQUARE NECK BOLT



8X
 1/4"-20 X 0.625" LONG
 SOCKET BUTTON HEAD SCREW
 WITH WASHERS



4X
 3/8"-16 x 0.75" LONG THREADED
 METAL LEVELER



ITEM NO.	PART NUMBER	DESCRIPTION	QTY.
1	PP-WD	WOOD PANEL	1
2	PP-CB	CROSSBAR	1
3	PP-FRAME-RIGHT	RIGHT SIDE FRAME	1
4	PP-FRAME-LEFT	LEFT SIDE FRAME	1
5	SBHCSCREW 0.25-20x0.625-HX-N	1/4-20 X 0.625" LONG SOCKET BUTTON HEAD SCREW	8
6	Regular LW 0.25	1/4 SPRING LOCK WASHER	8
7	Narrow FW 0.25	1/4 NARROW WASHER	8
8	RHSSNBOLT 0.375-16x2.5x1-N	3/8"-16 X 2.5 LONG ROUND SQUARE NECK BOLT	2
9	WASHER NUT	3/8" WASHER NUT WITH TEETH	2

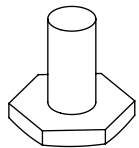
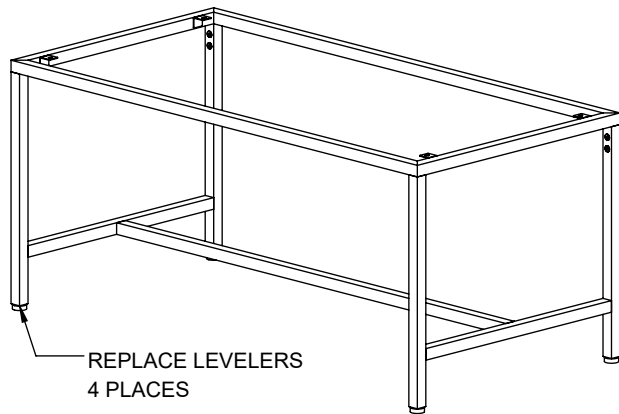
1

INSTALLATION IS SHOWN FOR ITEM #DDKIT2, BUT STEPS ARE THE SAME FOR OTHER SHOWCASES.

IF YOU ALREADY HAVE AN EXISTING SHOWCASE WITH NYLON LEVELERS, PLEASE REPLACE NYLON LEVELERS WITH INCLUDED METAL LEVELERS.

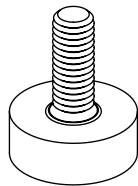
IF YOUR SHOWCASE USES METAL LEVELERS, SKIP THIS STEP.

THE METAL LEVELERS WILL MAKE SURE (2) UNITS CAN BE PLACED SIDE BY SIDE. (SEE SHEET 8)



4X

3/8-16 x 0.75" LONG THREADED METAL LEVELER (INCLUDED WITH THIS KIT)



4X (REPLACE THESE)

NYLON LEVELER

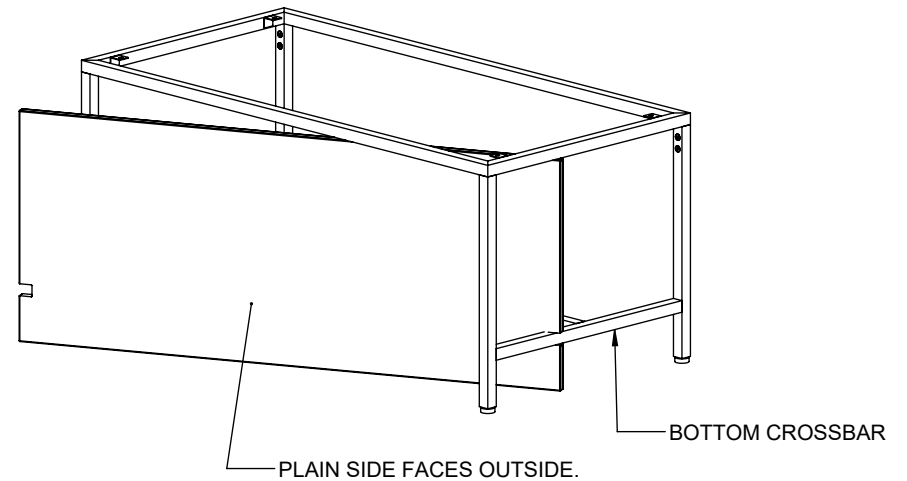
2

INSERT WOOD PANEL.

THERE ARE TWO NOTCHES ON THE BOTTOM OF THE WOOD PANELS. THESE NOTCHES GO ONTO THE BOTTOM CROSSBAR.

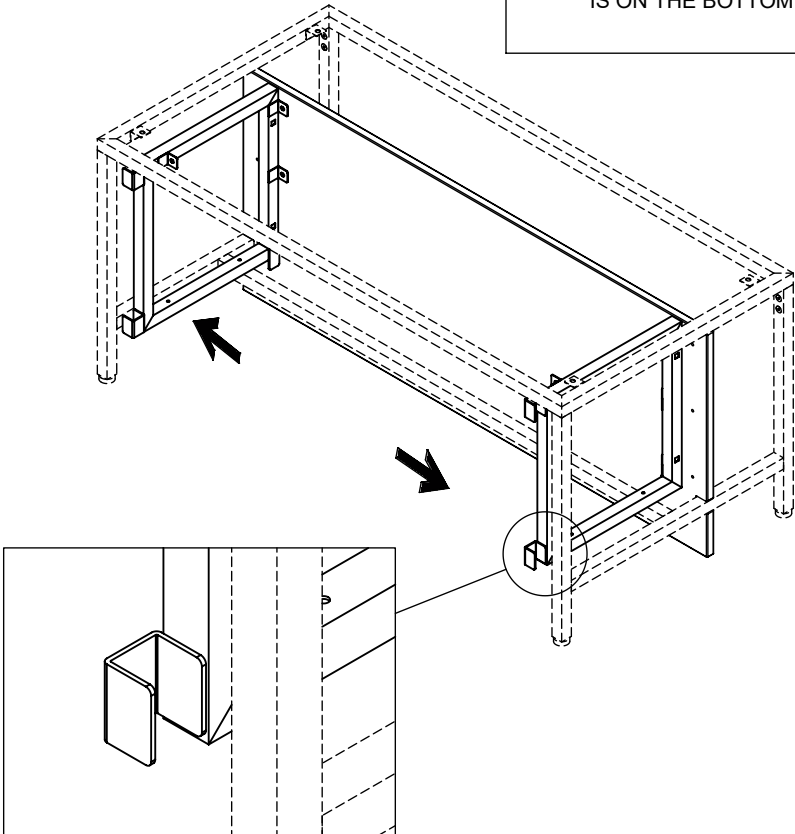
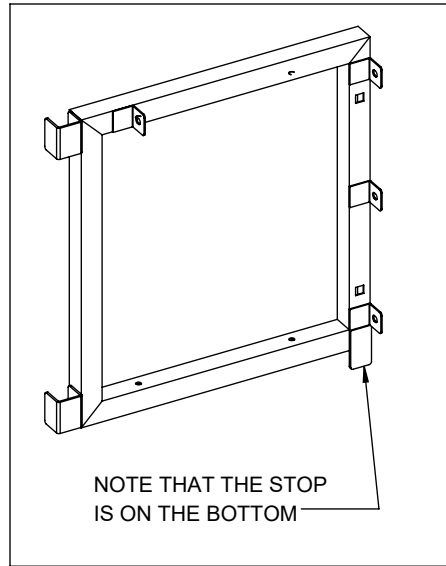
MAKE SURE THE PLAIN FACE OF THE WOOD PANEL FACES OUTSIDE.

A SECOND PERSON IS RECOMMENDED TO HOLD UP THE WOOD PANEL WHILE INSTALLATION CONTINUES FOR OTHER STEPS.



3

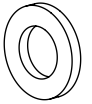
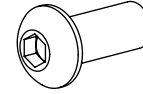
INSERT LEFT AND RIGHT FRAMES.



4

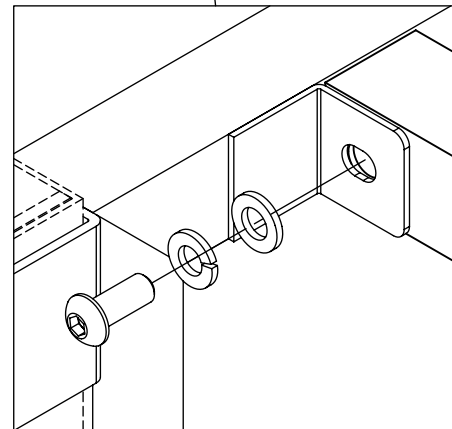
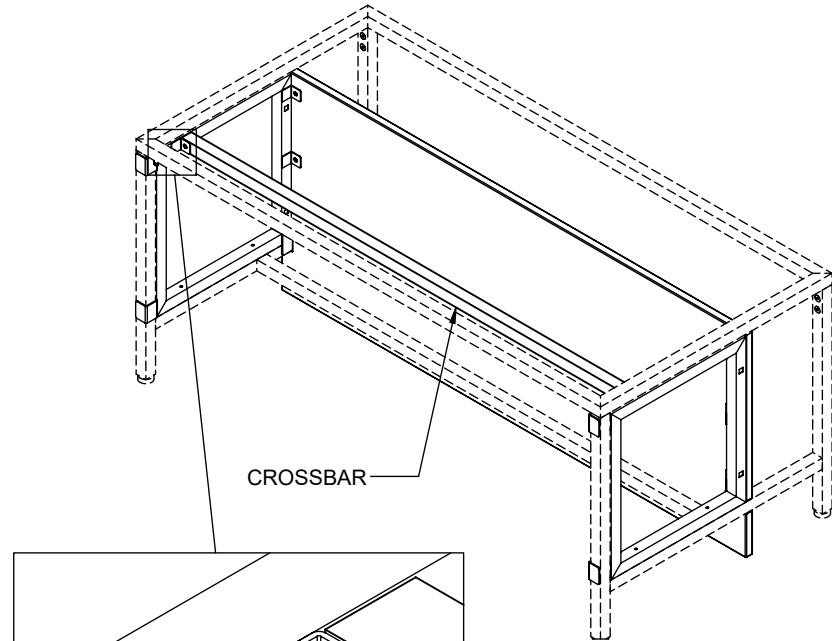
INSERT CROSSBAR BETWEEN LEFT/RIGHT FRAMES.

INSTALL WITH 2 SCREWS.



8X

1/4-20 X 0.625" LONG
SOCKET BUTTON HEAD SCREW
WITH WASHERS



5

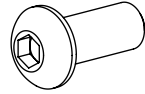
PUSH WOOD PANEL UP AGAINST
THE LEFT/RIGHT FRAMES

FOR DDKIT1:

INSTALL WITH (4) SCREWS..

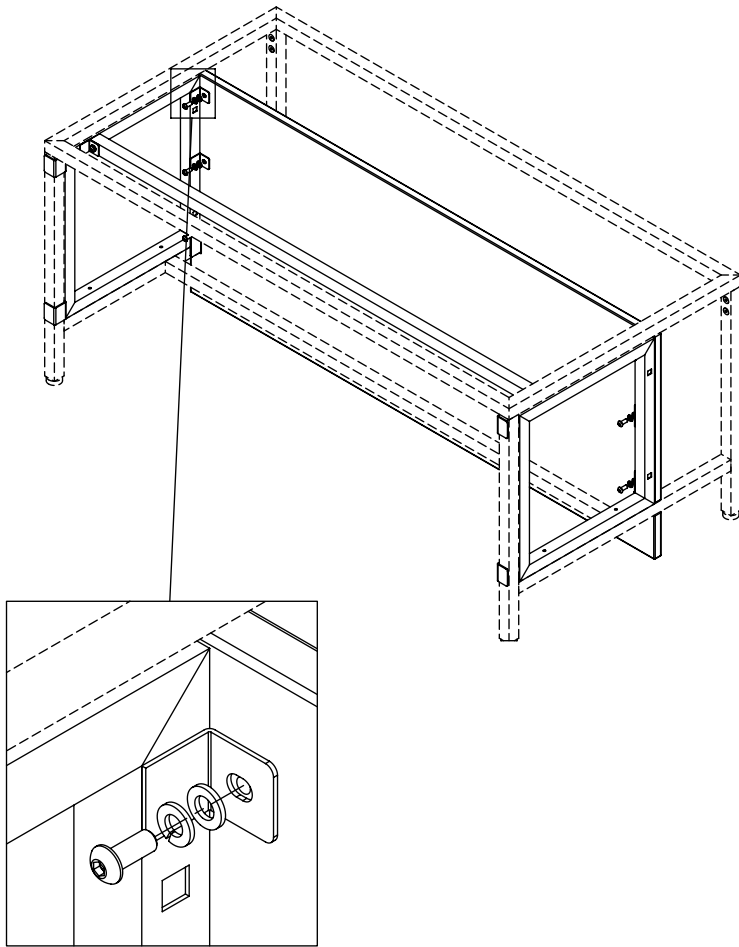
FOR DDKIT2 AND DDKIT3:

INSTALL WITH (6) SCREWS.



4-6X

1/4-20 X 0.625" LONG
SOCKET BUTTON HEAD SCREW
WITH WASHERS



6

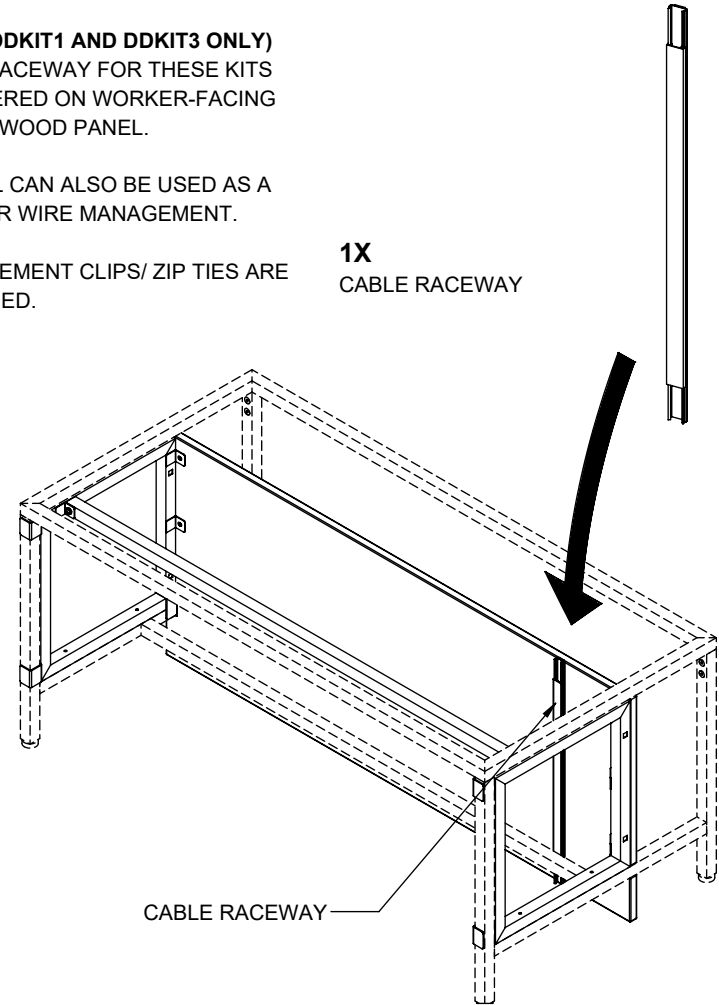
(FOR ITEMS DDKIT1 AND DDKIT3 ONLY)
THE CABLE RACEWAY FOR THESE KITS
CAN BE ADHERED ON WORKER-FACING
SIDE OF THE WOOD PANEL.

WOOD PANEL CAN ALSO BE USED AS A
SURFACE FOR WIRE MANAGEMENT.

WIRE MANAGEMENT CLIPS/ ZIP TIES ARE
RECOMMENDED.

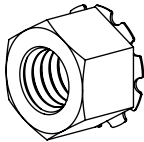
1X

CABLE RACEWAY

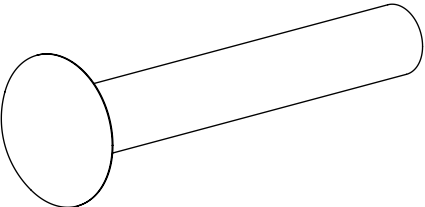


ASSEMBLING MULTIPLE UNITS

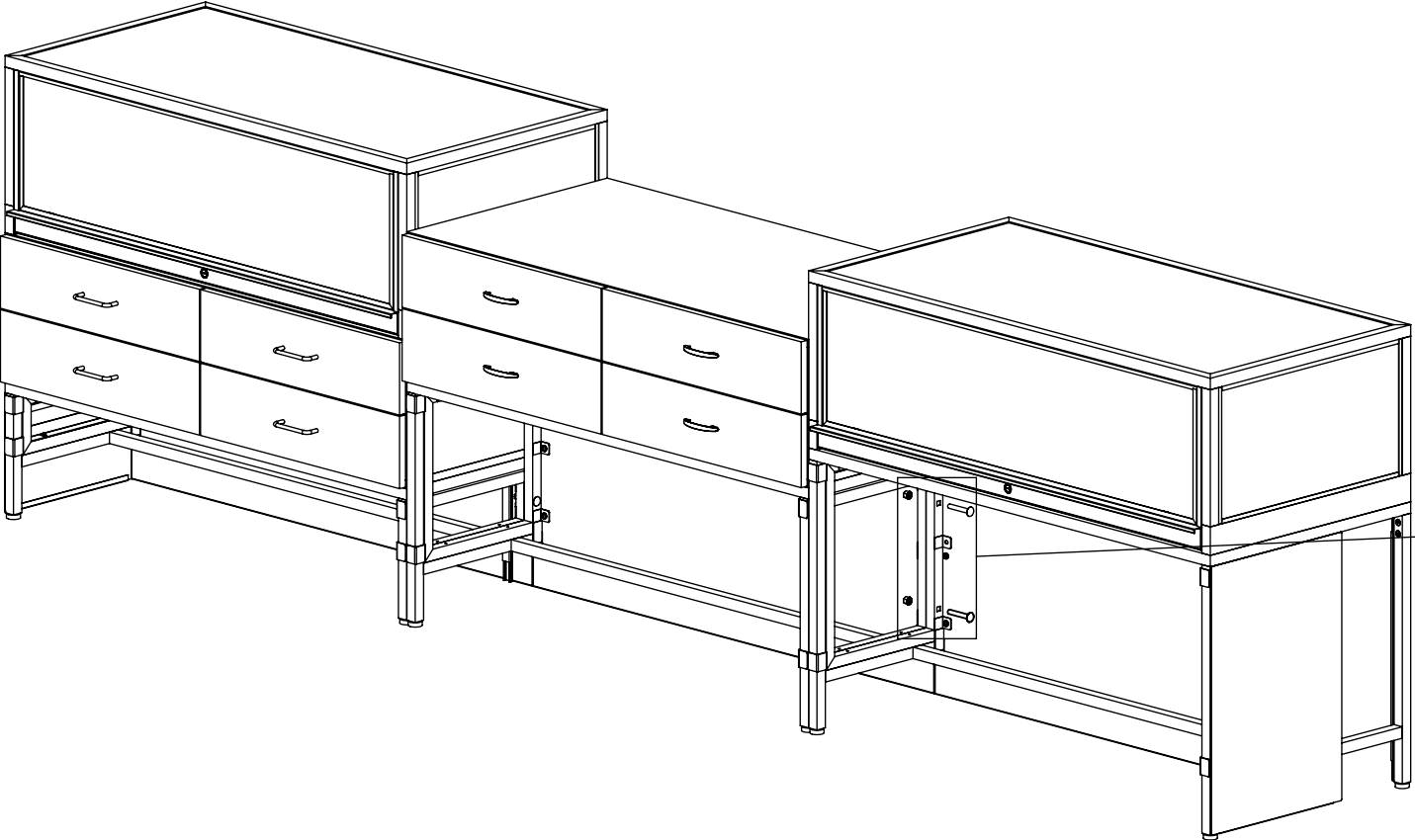
TO ASSEMBLE UNITS SIDE BY SIDE,
INSERT THE ROUND SQUARE NECK
BOLT THROUGH ONE SIDE, AND
TIGHTEN THE WASHER NUT ON THE
OTHER SIDE.



3/8"-16 WASHER NUT WITH TEETH

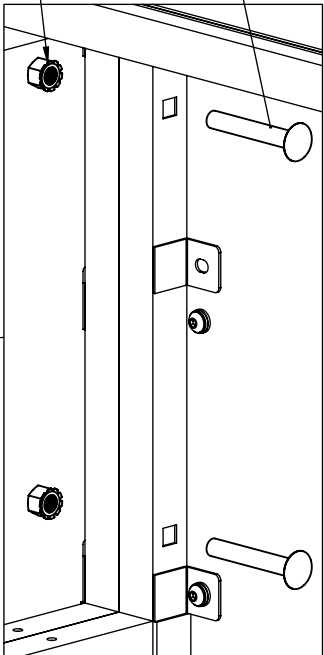


3/8"-16 X 2.5 LONG
ROUND SQUARE NECK BOLT



ROUND SQUARE NECK BOLT

WASHER NUT

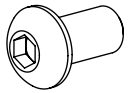


INSTALLING PRIVACY PANEL END CAP

(ITEMS #DDKIT1EC, DDKIT2EC, DDKIT3EC)

PRIVACY PANEL END CAP CAN BE INSTALLED ON LEFT OR RIGHT SIDE.

INSTALL WITH SCREWS THROUGH THE TOP AND BOTTOM OF THE LEFT OR RIGHT SIDE FRAMES.



4X
1/4-20 X 0.5" LONG
SOCKET BUTTON HEAD SCREW

