

ASSEMBLY INSTRUCTIONS FOR: PSFS96

PIPE UNION NUT
QTY. 4

UNTHREADED HALF OF
PIPE UNION
QTY. 4

THREADED HALF OF
PIPE UNION
QTY. 4

SHORT BRACE
EACH INCLUDE:
(2) LOOSE CLAMPS
(4) HEX NUTS
(4) CARRIAGE BOLTS
QTY. 2

LONG BRACE
EACH INCLUDE:
(2) LOOSE CLAMPS
(4) HEX NUTS
(4) CARRIAGE BOLTS
QTY. 1

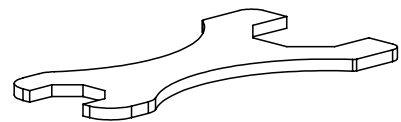
CROSS BARS
QTY. 4

UPRIGHTS
QTY. 4

FLANGE LEVELER
QTY. 4

CAP BOLTS
QTY. 8

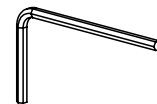
INCLUDED TOOLS



PIPE SPANNER

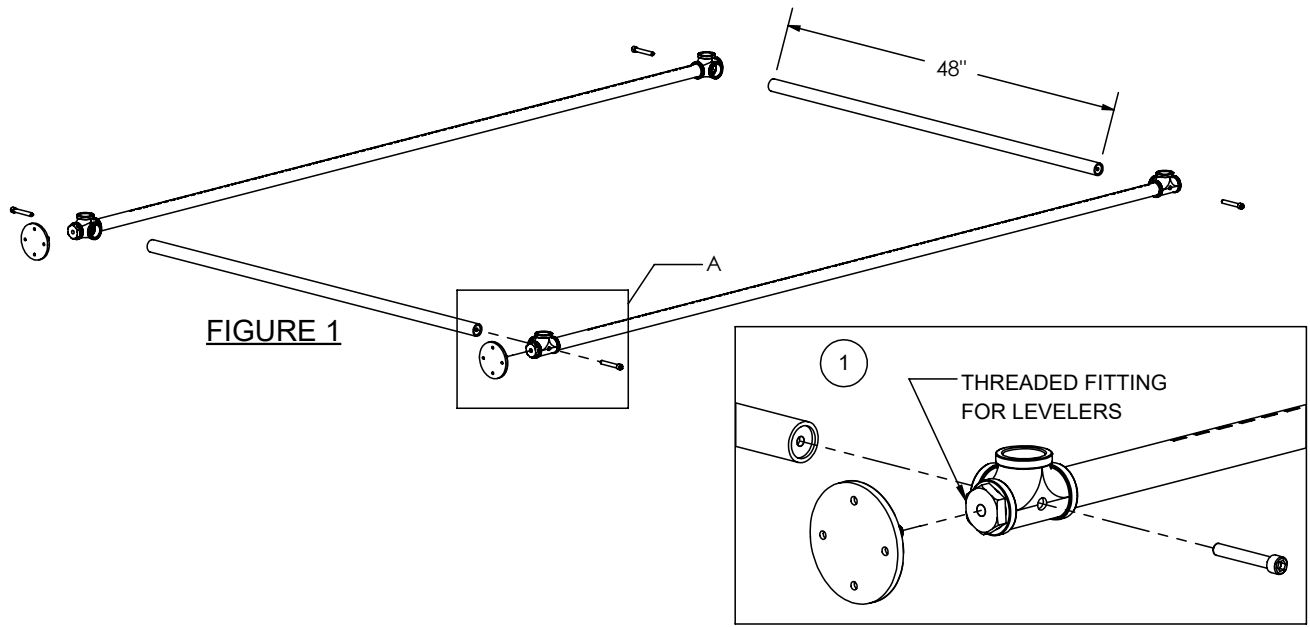


WRENCH



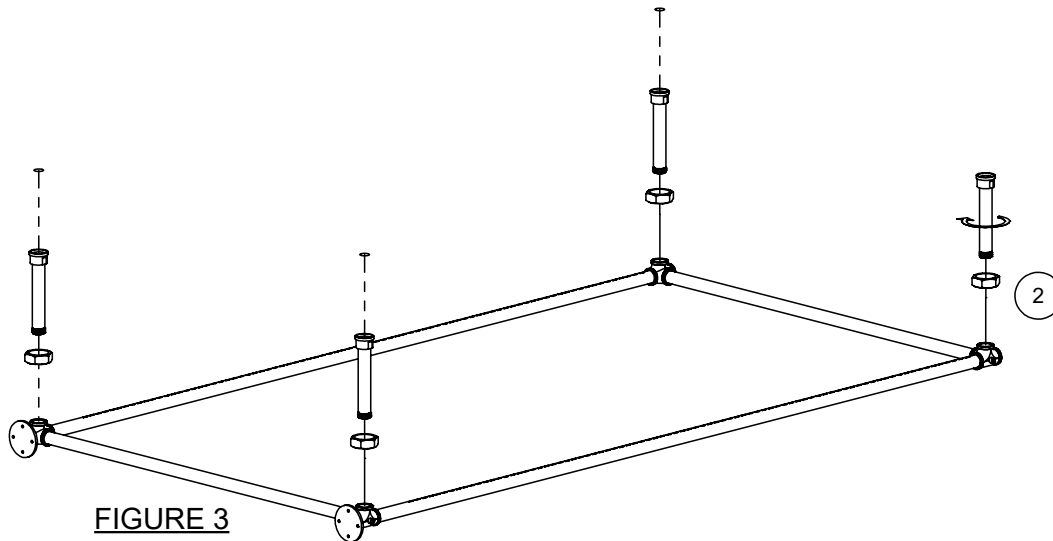
ALLEN KEY

1



ARRANGE (2) OF THE UPRIGHTS AND (2) OF THE CROSS BARS AS SHOWN IN FIGURE 1. BE SURE THE UPRIGHTS ARE ORIENTATED WITH THE THREADED FITTINGS ON THE BOTTOM. INSTALL THE LEVELERS INTO THE THREADED FITTINGS OF THE UPRIGHTS. SECURE THE UPRIGHTS TO THE CROSS BARS WITH THE CAP BOLTS USING THE INCLUDED ALLEN KEY.

2



INSERT THE UNTHREADED HALF OF THE PIPE UNION THROUGH THE UNION NUT AND SCREW TO THE ASSEMBLED FRAME FROM STEP 1.

3

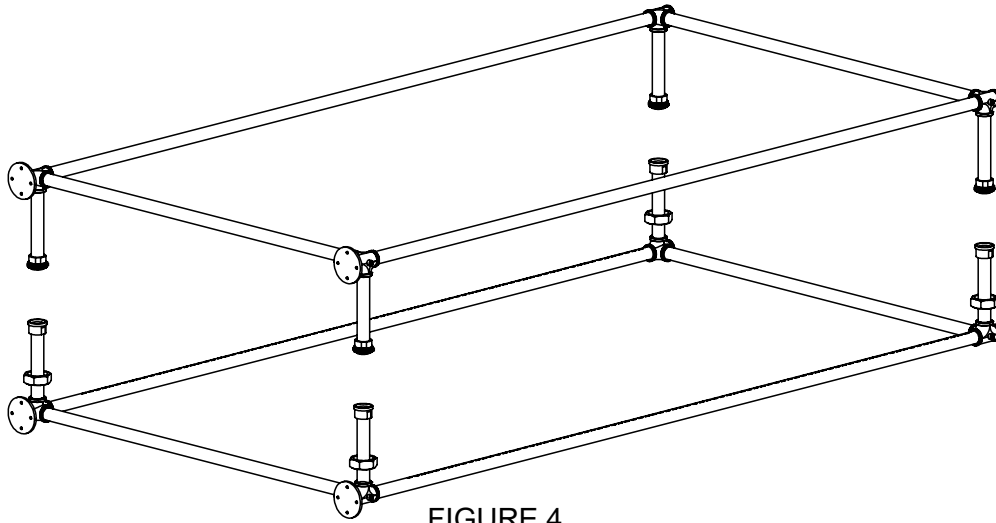


FIGURE 4

REPEAT STEPS 1 AND 2 WITH THE REMAINING CROSS BARS, UPRIGHTS, AND THREADED HALVES OF THE PIPE UNIONS. WITH AT LEAST 2 PEOPLE, JOIN THE 2 FRAME HALVES AS SEEN IN FIGURE 4. THE HALVES OF THE PIPE UNIONS SHOULD NEST TOGETHER.

4

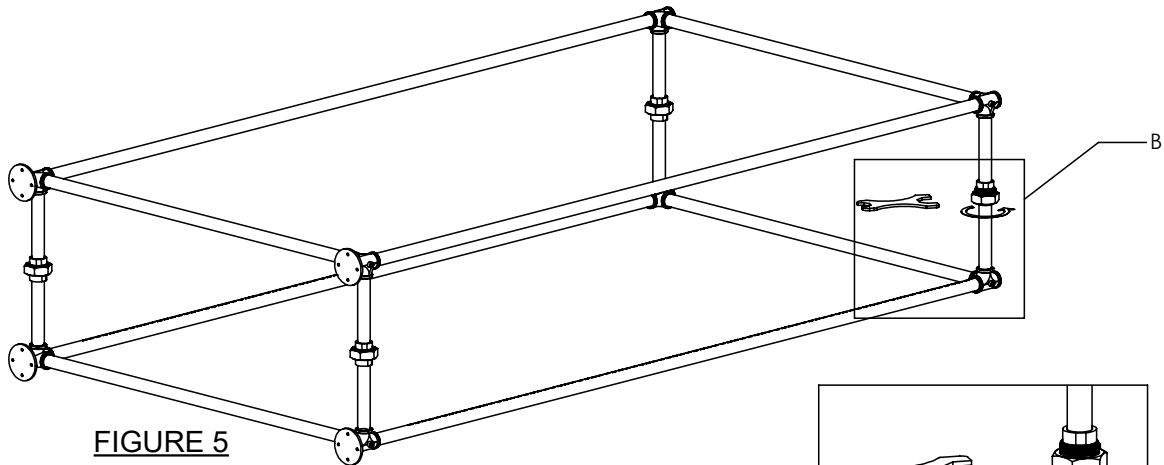


FIGURE 5

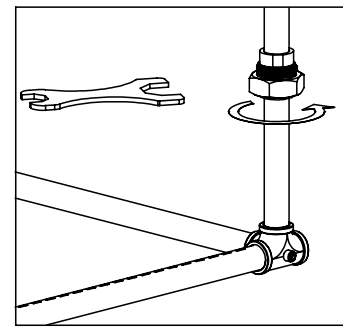


FIGURE 6

WITH THE TWO FRAME HALVES RESTING ON TOP OF EACH OTHER, BEGIN HAND TIGHTENING THE UNION NUT ONTO THE THREADED HALF OF THE PIPE UNION. REPEAT THIS FOR THE REMAINING 3 UNIONS. WHEN ALL UNIONS HAVE BEEN HAND TIGHTENED, TIGHTEN WITH THE LARGE PIPE SPANNER.

5

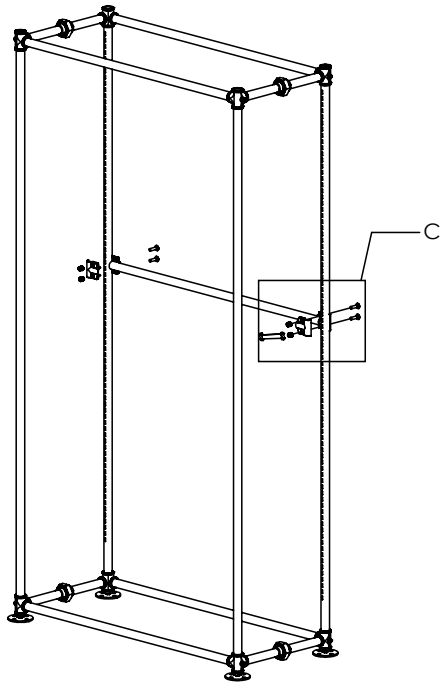


FIGURE 7

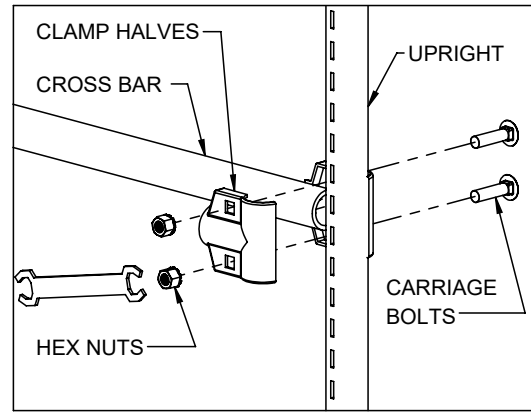


FIGURE 8

NOTE: ALL CROSS BRACES (SHORT AND LONG) CAN BE INSTALLED ANYWHERE THAT WONT INTERFERE WITH ACCESSORY PLACEMENT.

FOR EACH SIDE OF THE LONG CROSS BRACE, SECURE THE PIPE CLAMP HALVES AROUND THE UPRIGHTS AND CROSS BAR WITH THE CARRIAGE BOLTS AND HEX NUTS WITH THE INCLUDED WRENCH. 2 PEOPLE MAY BE REQUIRED FOR THIS STEP.

6

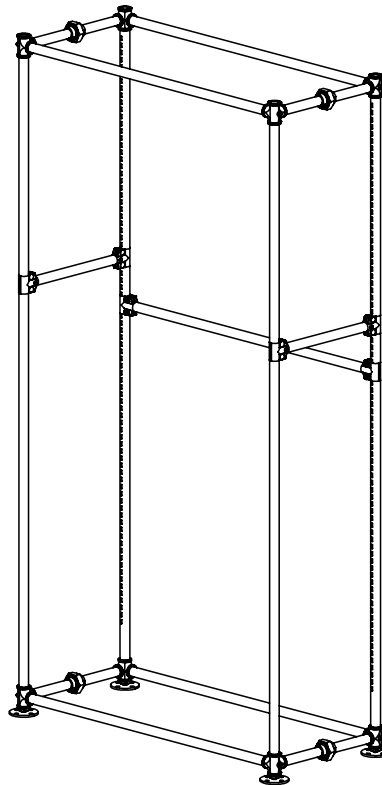


FIGURE 9

REPEAT STEP 5 FOR THE SHORT CROSS BRACES.

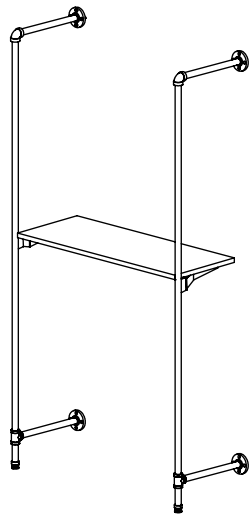
ASSEMBLY INSTRUCTIONS FOR:
CABINET DRAWER UNIT - PSFSMLDW(F)

DRAWER CABINET COMPONENT

CABINET UNIT COMES FULLY ASSEMBLED AND WEIGHS APPROXIMATELY 100 POUNDS. PLEASE HANDLE WITH TWO PEOPLE. REMOVE FROM PACKAGE AND GENTLY LAY BOTTOM BRACKETS OF CABINET UNIT ON TO SIDE CROSS BARS OF THE FREESTANDING MERCHANDISING UNIT. THE WEIGHT OF THE UNIT KEEPS IT FROM MOVING.

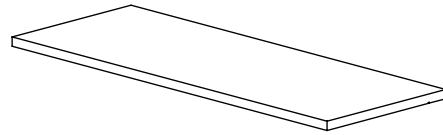


**ASSEMBLY INSTRUCTIONS:
PSORSLF48/24-ML**

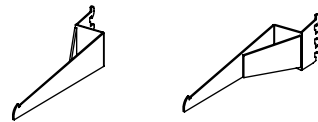


SHOWN INSTALLED
ON ITEM# PSOR FOR
REFERENCE

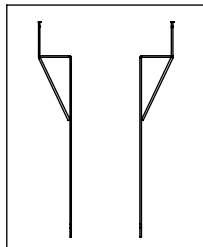
ITEM# PSORSLF48/24-ML



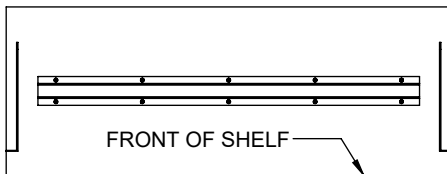
ITEM# PSORKB
(SOLD SEPARATELY)



1



SHELF BRACKETS
VIEWED FROM BELOW

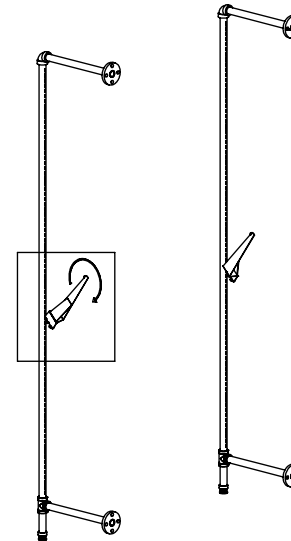


SHELF VIEWED FROM BELOW
**(NOTE: THE PSORSLF24-ML DOES
NOT HAVE A STEEL SUPPORT)**

IDENTIFY THE LEFT AND
RIGHT BRACKETS. THE
BEND OF THE SHELF
BRACKETS SHOULD BE
BETWEEN TWO OUTRIGGER
UPRIGHTS.

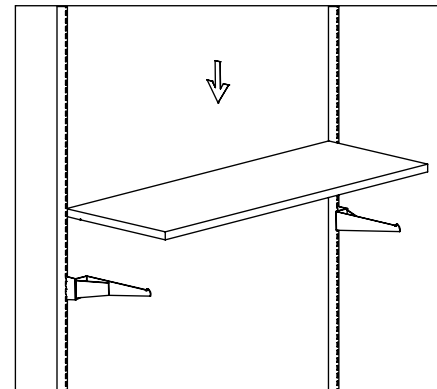
IDENTIFY THE FRONT OF
THE SHELF.

2



TILT THE SHELF BRACKET UP AND
INSERT THE TOP TOOTH INTO THE
DESIRED SLOT AS SHOWN. ROTATE
THE BRACKET DOWN WHILE
PUSHING TOWARDS THE UPRIGHT
SO ALL OF THE BRACKET TEETH
ENGAGE THE SLOTTED
STANDARDS. REPEAT FOR THE
OTHER BRACKET AT THE SAME
HEIGHT.

3



DROP THE SHELF ONTO THE
INSTALLED BRACKETS SO THE
BRACKETS ENGAGE THE
ROUTE ON THE BOTTOM OF
THE SHELF WOOD.