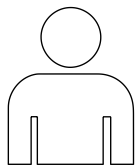
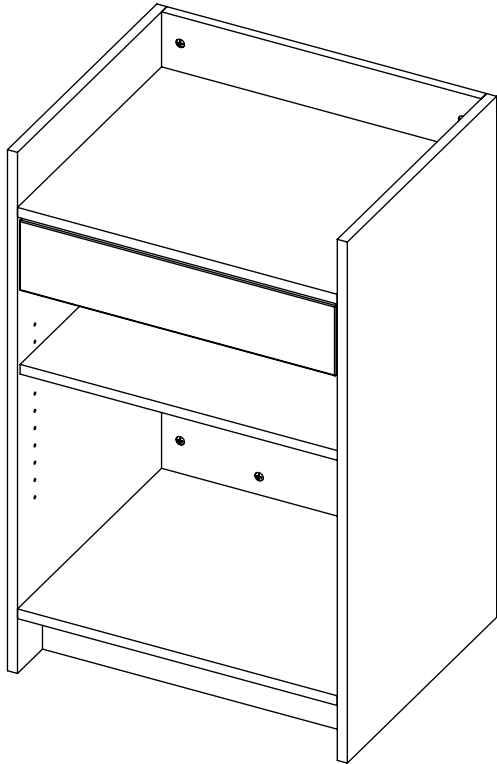


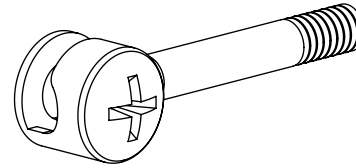
# REGISTER STAND COUNTER UNIT

Item # PW-WRS24-W,-MP, -BK

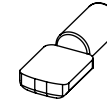


**2 PEOPLE  
REQUIRED  
FOR  
ASSEMBLY**

## INCLUDED HARDWARE



**40X**  
CAM LOCK AND STEM

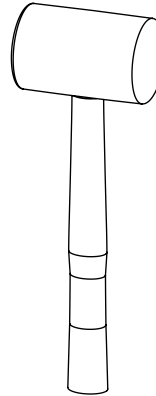


**4X**  
SHELF PIN



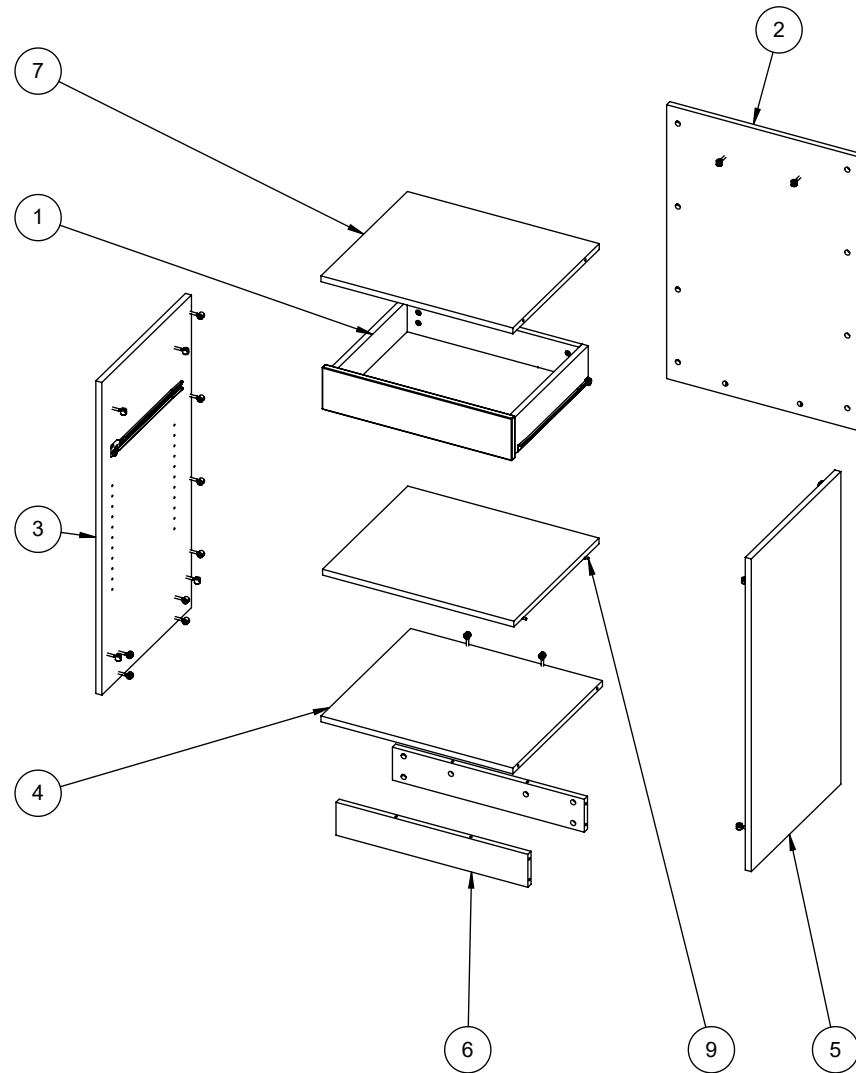
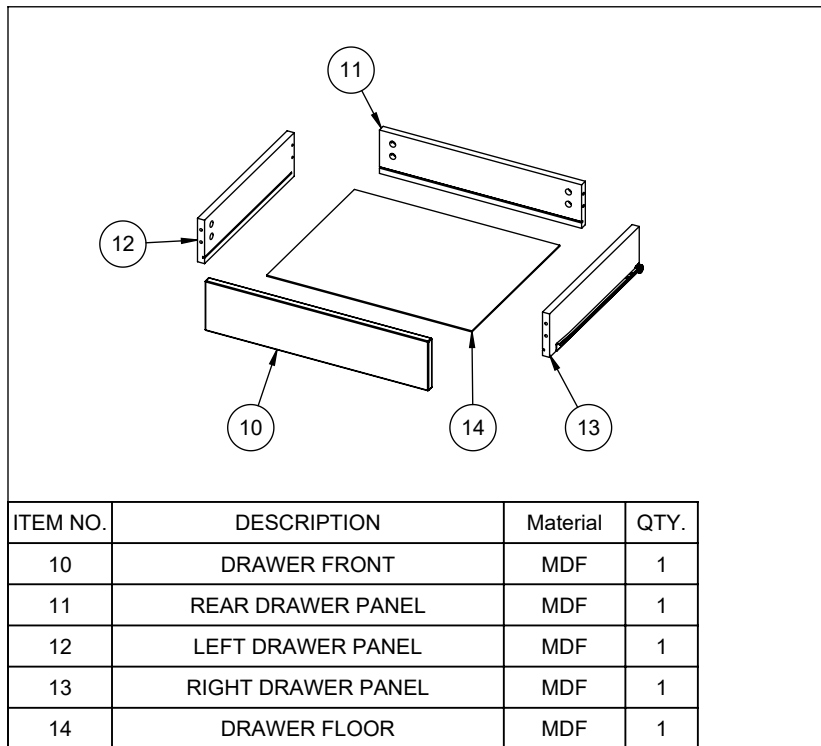
**18X**  
STICKERS

## TOOLS SUGGESTED



**RUBBER  
MALLET**

ITEM NO.	PART NUMBER	DESCRIPTION	Material	QTY.
1	DDRCW24-2	DRAWER	MDF	1
2	PW-WRS24-CAB-1	BACK PANEL	MDF	1
3	PW-WRS24-CAB-2	LEFT PANEL	MDF	1
4	PW-WRS24-CAB-4	FLOOR	MDF	1
5	PW-WRS24-CAB-3	RIGHT PANEL	MDF	1
6	PW-WRS24-CAB-6	TOE KICK	MDF	2
7	PW-WRS24-CAB-5	REGISTER PLATFORM	MDF	1
8	ADJUSTABLE SHELF	ADJ SHELF		1
9	5MM SHELF PIN	5MM SHELF PIN		4



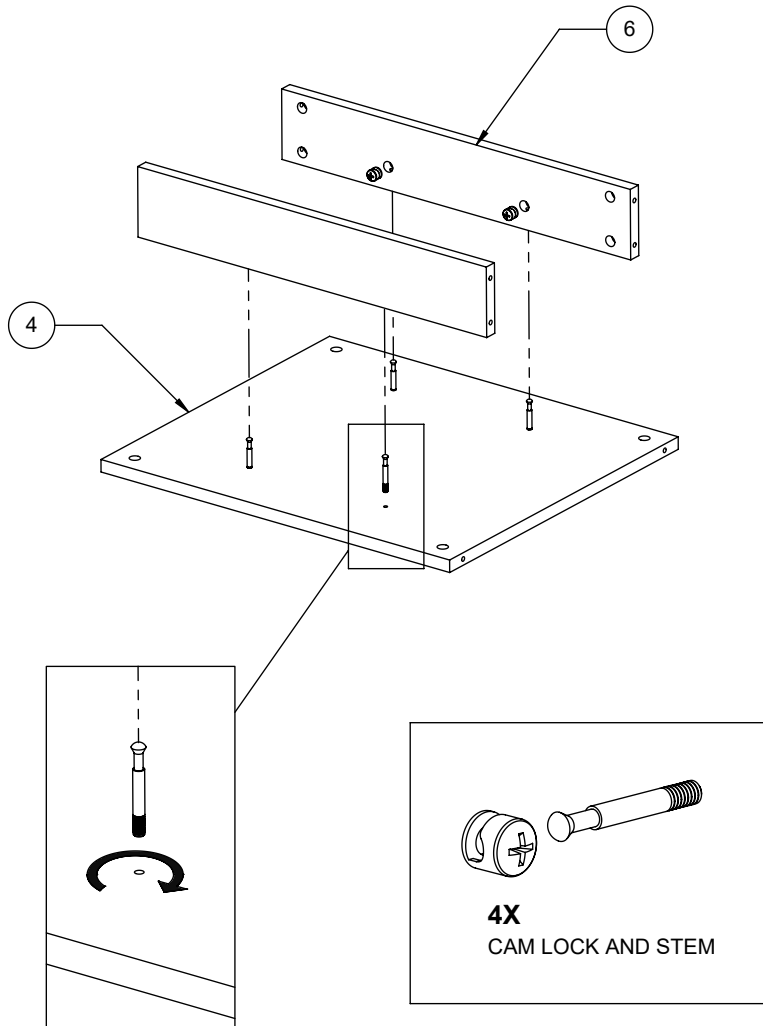
# 1

-THREAD THE CAM LOCK STEMS INTO THE BOTTOM OF PART -4 (FLOOR) AS SHOWN.

**NOTE: ONLY TIGHTEN UNTIL THE THREADS ARE NO LONGER VISIBLE.**

- INSTALL PART -6 (TOE KICKS) ONTO THE FLOOR AS SHOWN.

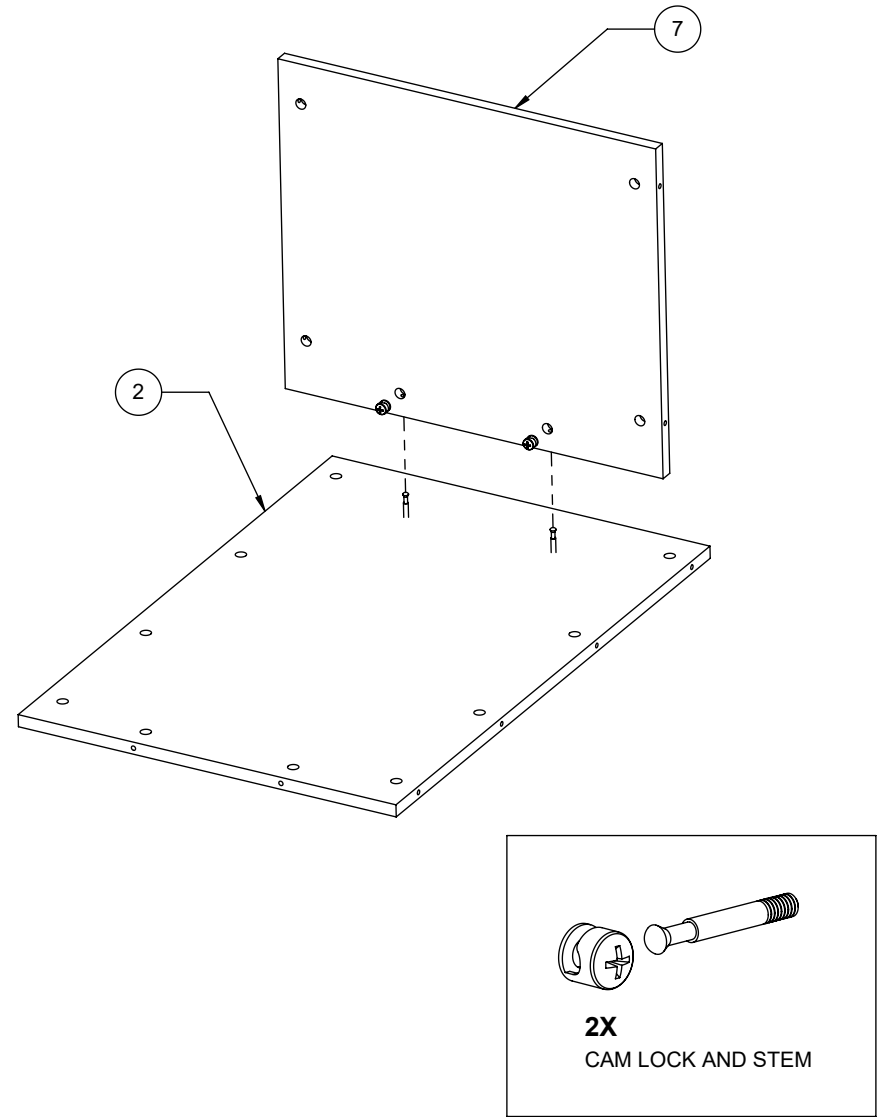
**NOTE: LOCK NUT HOLES ON TOE TICKS SHOULD FACE INWARD.**



# 2

-LAY PART -2 (BACK PANEL) ON THE FLOOR WITH HOLES FACING UP. INSTALL PART -7 (REGISTER STAND) AS SHOWN.

**NOTE: DO NOT HANDLE THIS SUB-ASSEMBLY BY PART -7.**

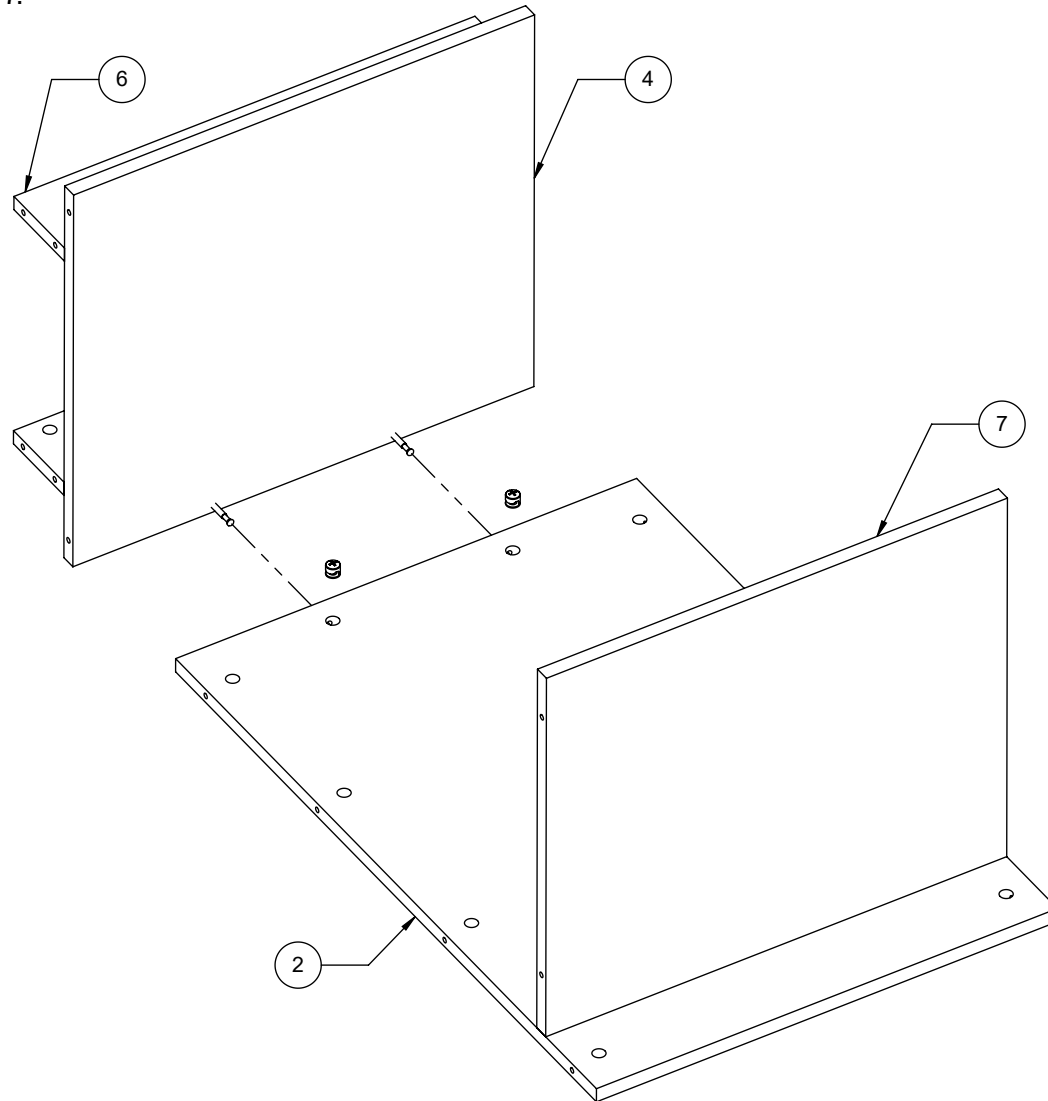
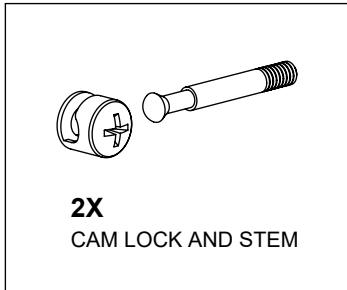


### 3

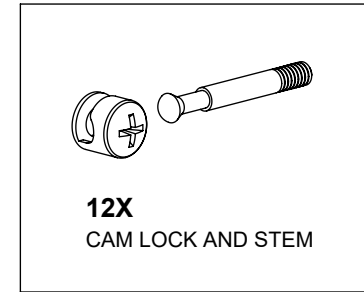
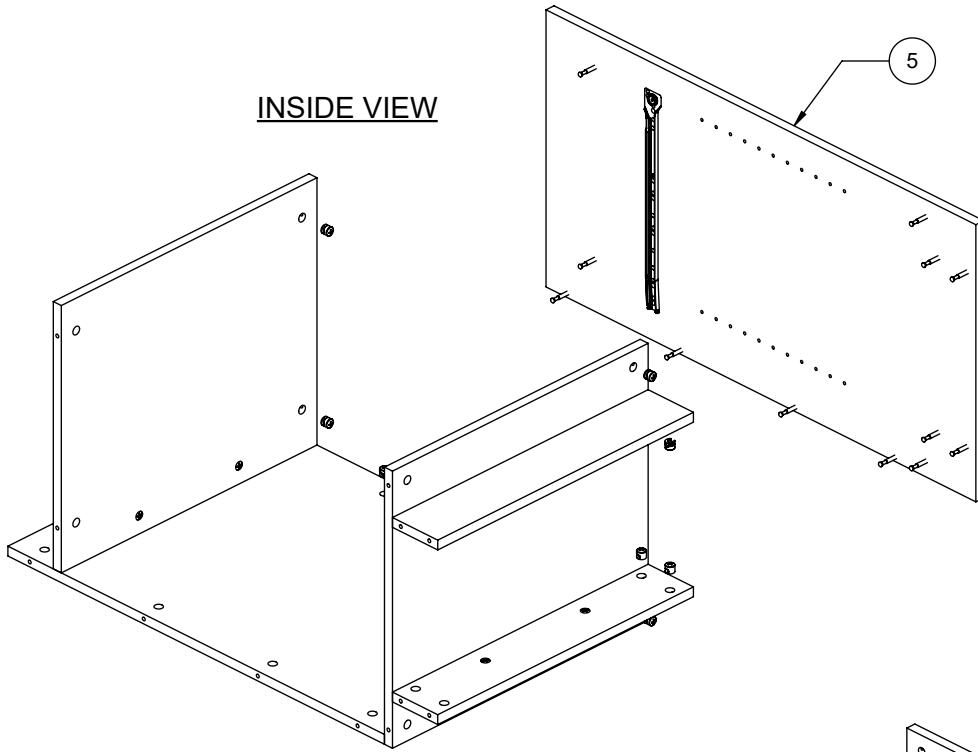
LEAVE THE ASSEMBLY FROM STEP 2 LAYING ON THE FLOOR.

JOIN THE ASSEMBLIES FROM STEPS 1 AND 2 AS SHOWN.

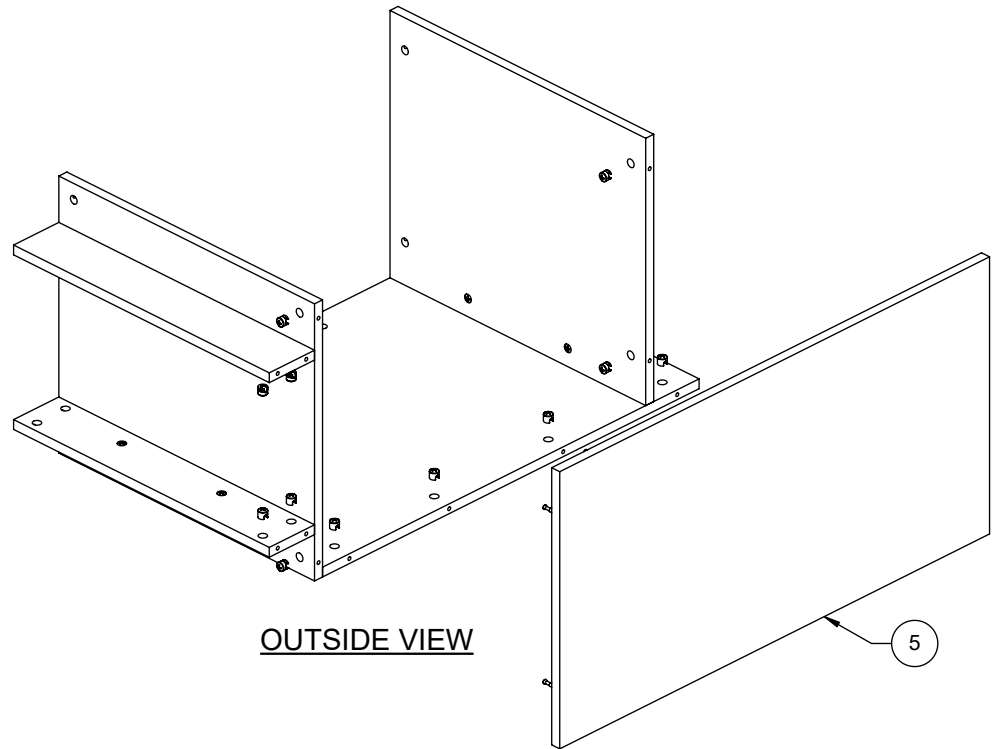
**NOTE: DO NOT HANDLE THIS SUB-ASSEMBLY BY PART -7.**



INSIDE VIEW



OUTSIDE VIEW



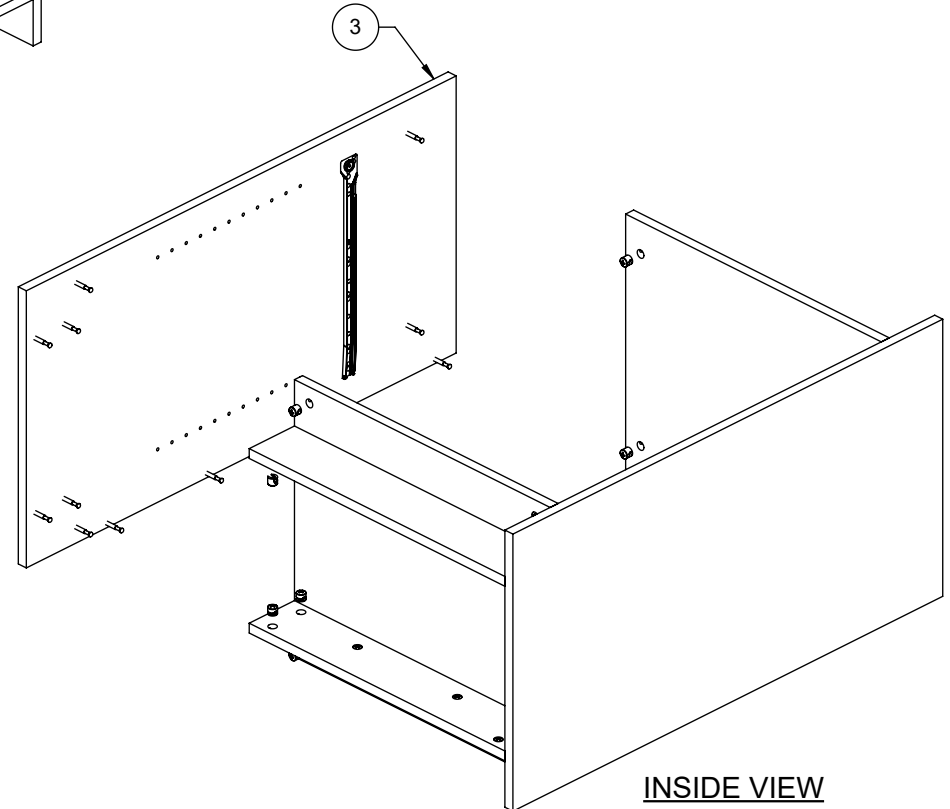
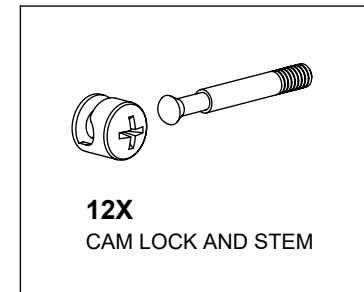
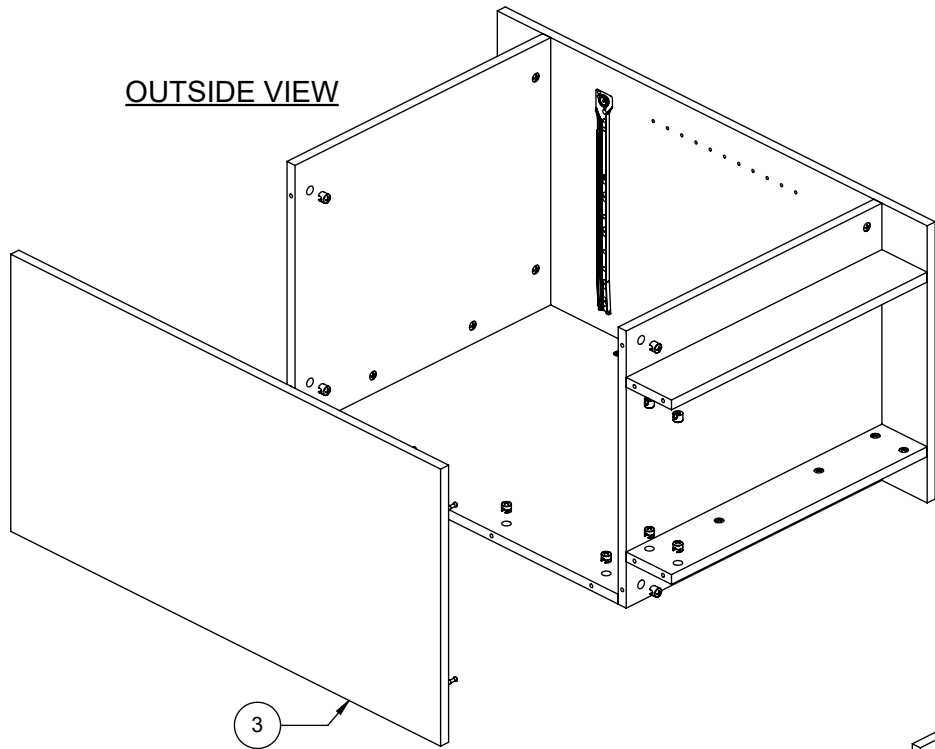
**4**

THE ASSEMBLY FROM STEP 3 SHOULD STILL BE LAYING ON THE FLOOR TO PREVENT DAMAGE.

-INSTALL PART -4 (RIGHT PANEL) AS SHOWN.

NOTE: LIGHT STRIKES FROM A MALLETT MAY BE REQUIRED.

OUTSIDE VIEW



INSIDE VIEW

**5**

THE ASSEMBLY FROM STEP 4 SHOULD STILL BE LAYING ON THE FLOOR TO PREVENT DAMAGE.

-INSTALL PART -3 (LEFT PANEL) AS SHOWN.

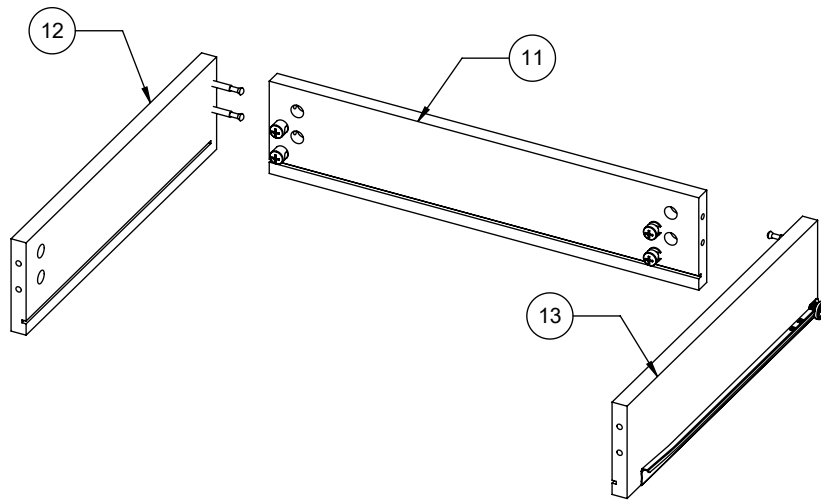
**NOTES:**

-LIGHT STRIKES FROM A MALLET MAY BE REQUIRED.

-WITH BOTH SIDE FRAMES INSTALLED, THE ASSEMBLY CAN BE LIFTED UPRIGHT.

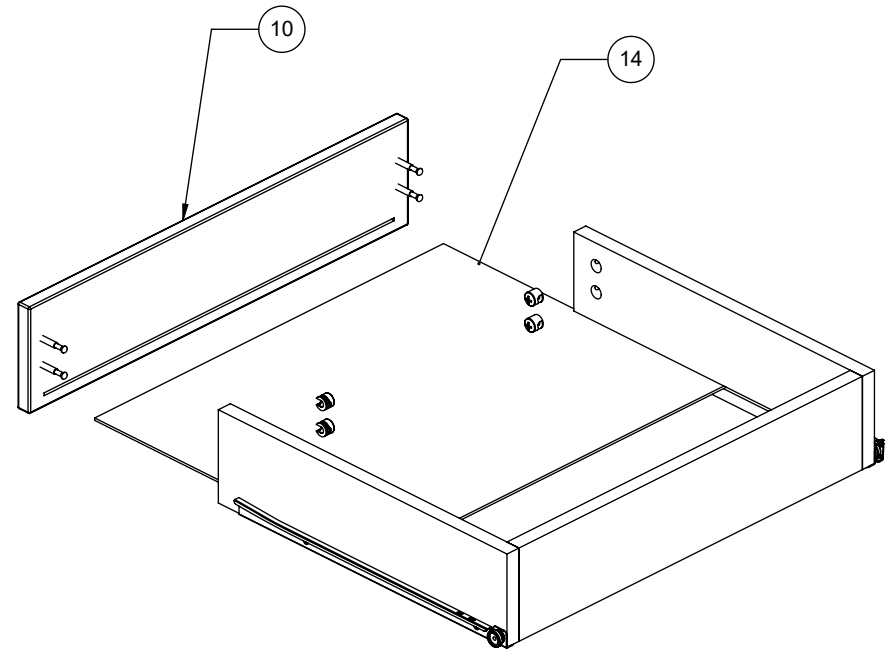
## 6

ASSEMBLE PARTS -12 (LEFT DRAWER PANEL), -13 (RIGHT DRAWER PANEL), AND -11 (REAR DRAWER PANEL) AS SHOWN.



## 7

-SLIDE PART -14 (DRAWER FLOOR) INTO THE ROUTES OF PARTS -12, -13, AND -11.  
-COMPLETE THE DRAWER BY INSTALLING PART -10 (DRAWER FRONT) AS SHOWN.



# 7

- COVER ANY EXPOSED HOLES WITH STICKERS.
- INSTALL THE ASSEMBLED PART -1 (DRAWER) ONTO THE SIDE WALL SLIDES.
- INSTALL PARTS -9 (SHELF PINS) AND PART -8 (SHELF) AT THE REQUIRED HEIGHT.

