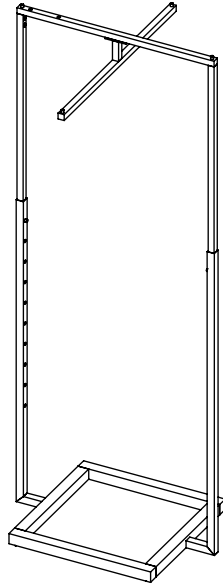
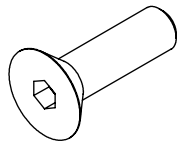


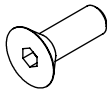
**ASSEMBLY INSTRUCTIONS:**  
**LNE2WADJ**



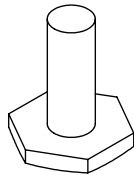
**INCLUDED HARDWARE**



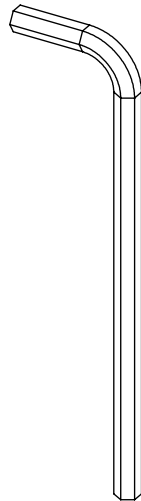
LARGE COUNTERSUNK BOLT  
QTY: 8



SMALL COUNTERSUNK BOLT  
QTY: 6

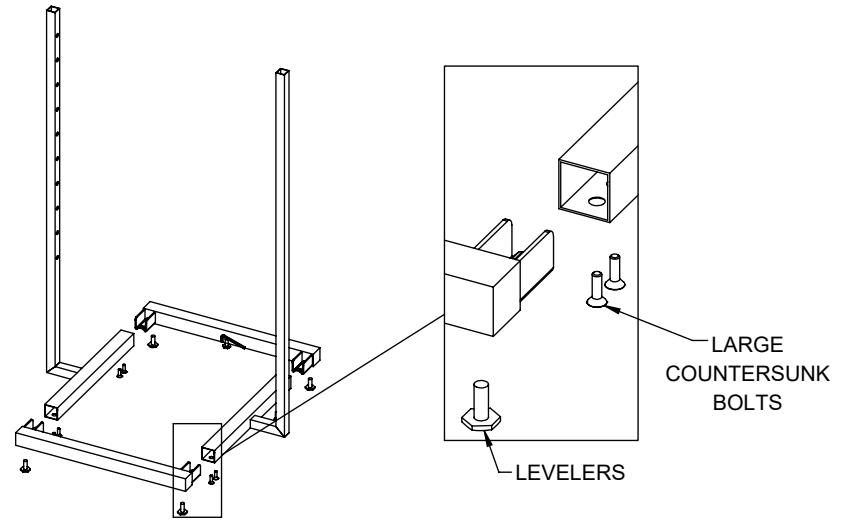


3/8" LEVELERS  
QTY: 4



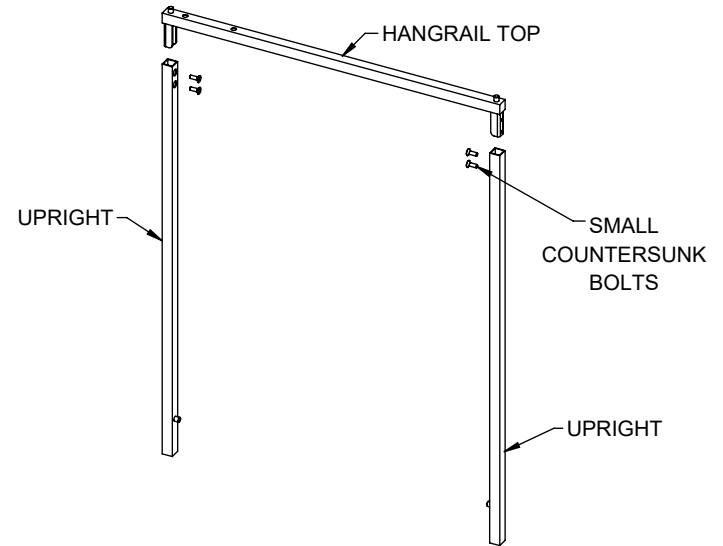
ALLEN KEY  
QTY: 1

**1**



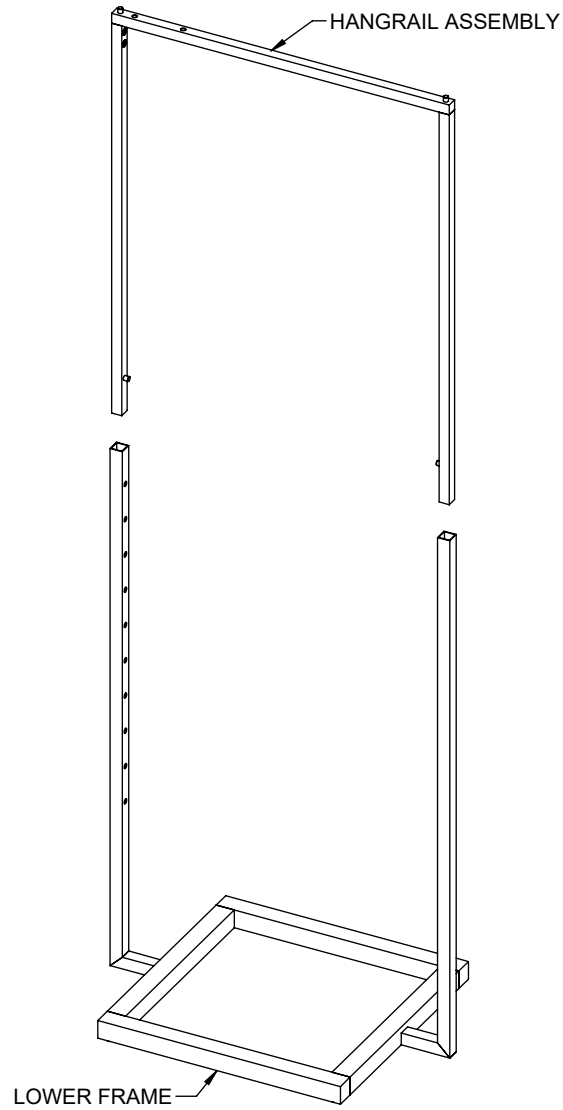
- IF THEY ARE NOT ALREADY INSTALLED, THREAD LEVELERS INTO BASE CROSS BARS.  
- JOIN UPRIGHTS TO BASE CROSS BARS WITH LARGE COUNTERSUNK BOLTS. TIGHTEN WITH ALLEN KEY.

**2**



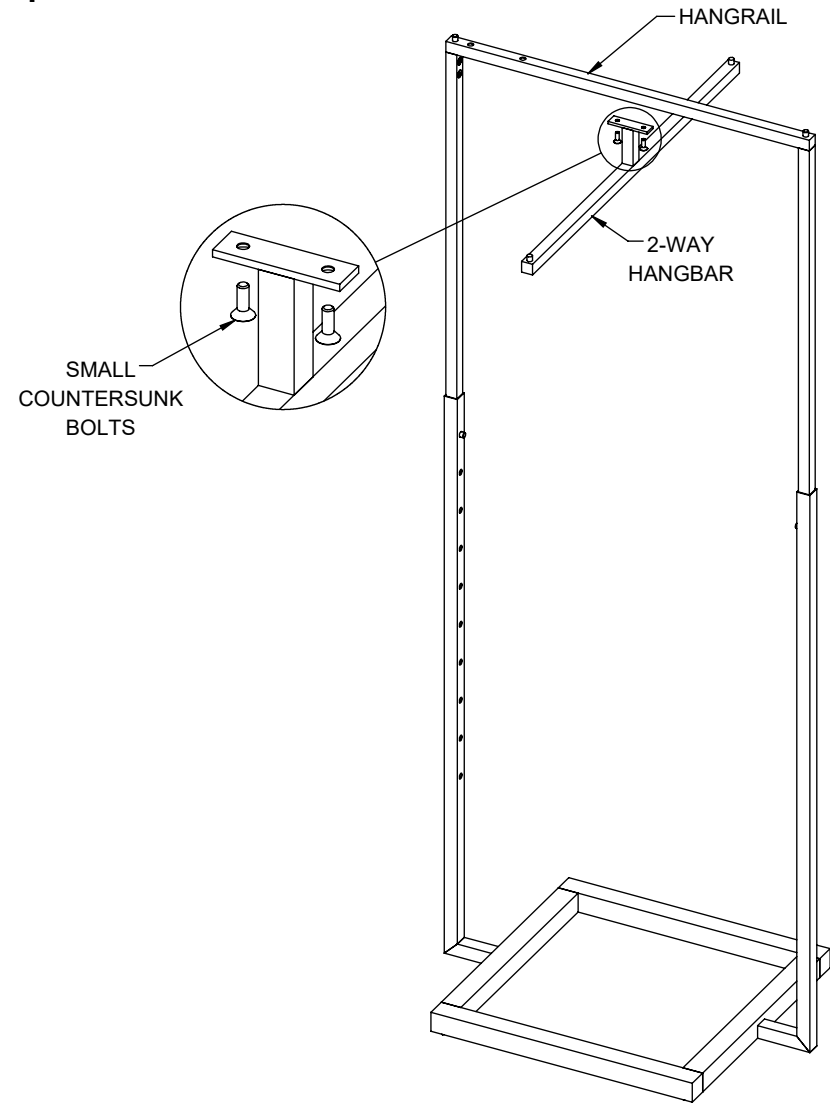
- DROP HANGRAIL TOP ONTO UPRIGHTS AND SECURE WITH SMALL COUNTERSUNK BOLTS. TIGHTEN WITH ALLEN KEY.

3



- DROP HANGRAIL ASSEMBLY INTO LOWER FRAME UPRIGHTS AND ALLOW PUSH BUTTON TO SNAP INTO PLACE AT DESIRED HEIGHT.

4



- MOUNT 2-WAY HANGBAR TO BOTTOM OF HANGRAIL USING SMALL COUNTERSUNK BOLTS. TIGHTEN WITH ALLEN KEY.