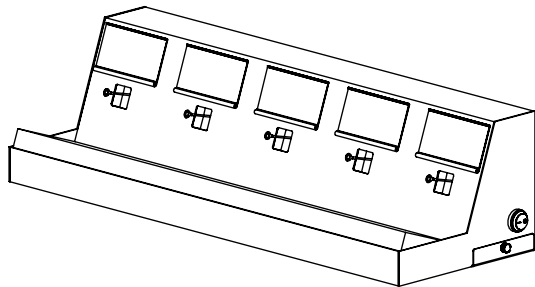
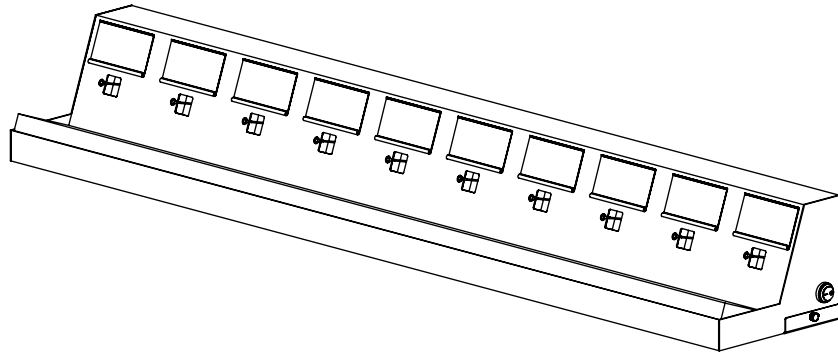
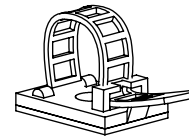


FLOWER BOX PLANTER INSTRUCTIONS

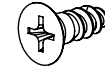
DDPL1 AND DDPL1S



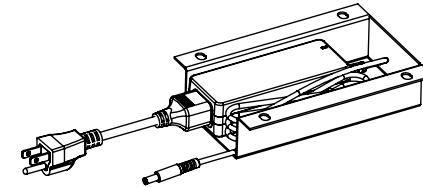
INCLUDED HARDWARE



ADHESIVE BACKED
WIRE GUIDE
QTY. 5



WOOD SCREWS
QTY. 10



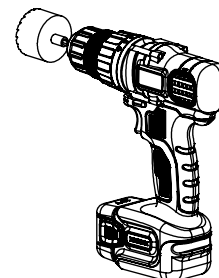
POWER ADAPTER ASSEMBLY

INCLUDED TOOLS

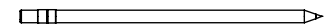


SMALL ALLEN KEY

OPTIONAL TOOLS

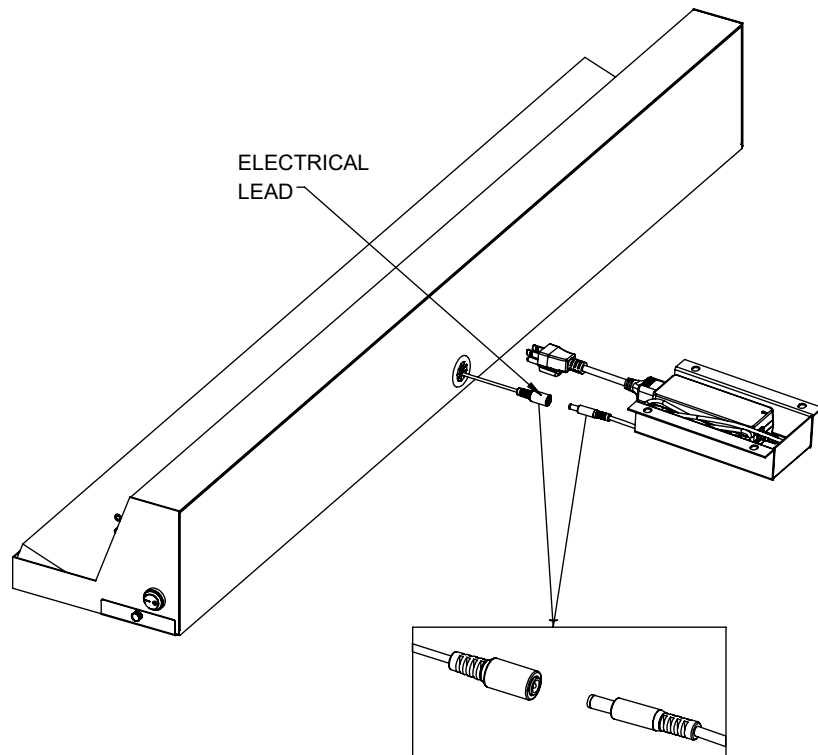


ELECTRIC DRILL WITH 2" HOLE SAW



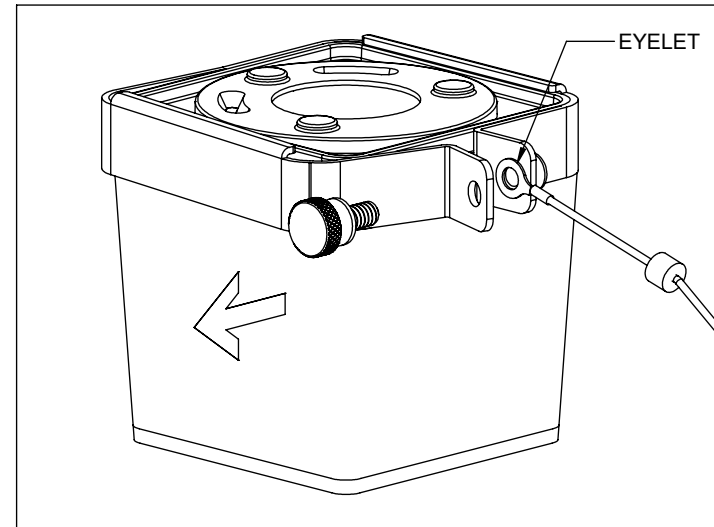
PENCIL

RIGHT OUT OF THE BOX

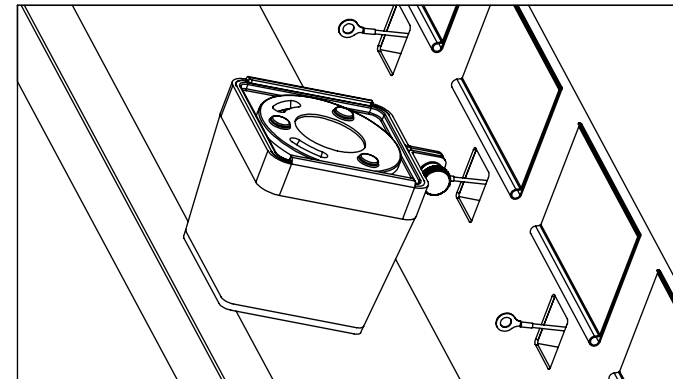


- YOUR FLOWER BOX PLANTER IS READY TO USE OUT OF THE BOX. CONNECT THE LEAD COMING FROM THE BACK OF THE PLANTER TO THE POWER ADAPTER.
- PLUG THE POWER CORD INTO A WALL OUTLET.
- FLIP THE TOGGLE SWITCH.

TETHERING A FLOWER BOX



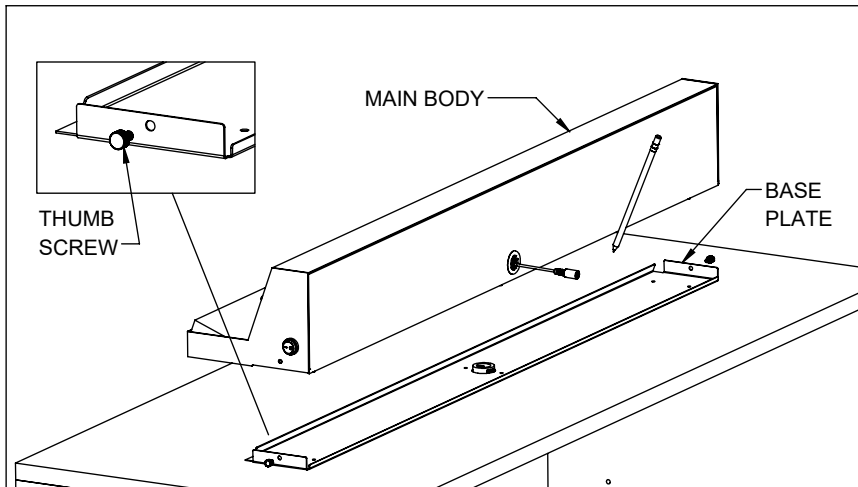
- WITH PRODUCT SEALED IN THE FLOWER BOX, REMOVE THE SECURITY SCREW.
- PLACE ONE OF THE EYELETS FROM THE PLANTER TETHER BETWEEN THE FLOWER BOX CLAMP AND REINSTALL THE SECURITY SCREW.



- ALLOW THE FLOWER BOX TO BE PULLED INTO THE PLANTER. AN INTERNAL MAGNET WILL HOLD THE BOX IN PLACE.

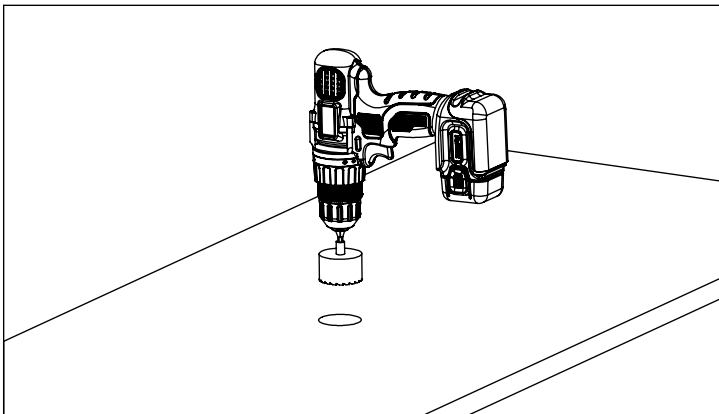
MOUNTING TO A TABLE TOP (CASEMENT SHOWN FOR REFERENCE)

1



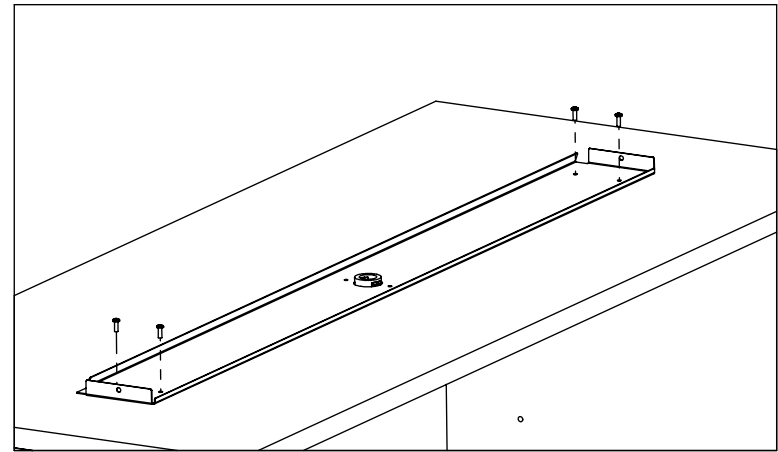
- REMOVE THUMB SCREWS FROM THE SIDE OF PLANTER AND REMOVE THE MAIN BODY OF THE PLANTER.
- POSITION THE BASE PLATE WHERE IT WILL BE INSTALLED AND MARK THE CENTER OF SCREW HOLES AND WIRE GROMMET.

2



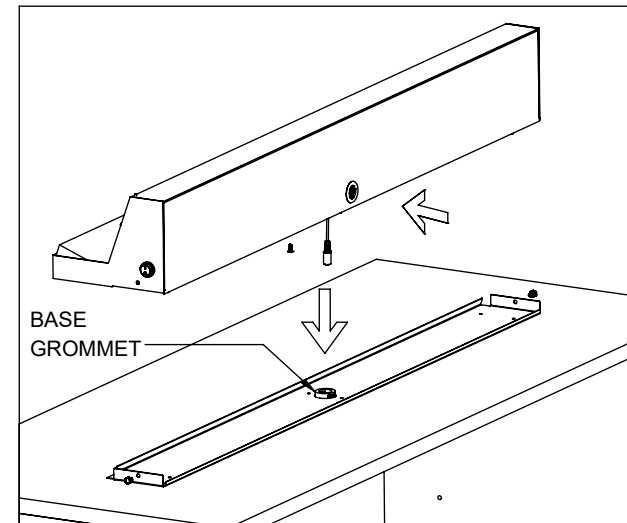
- DRILL THE WIRE ROUTING HOLE WITH A HOLE SAW.

3



- MOUNT THE BASE PLATE WITH AT LEAST (4) WOOD SCREWS.

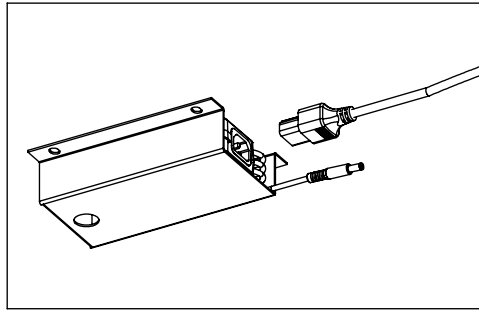
4



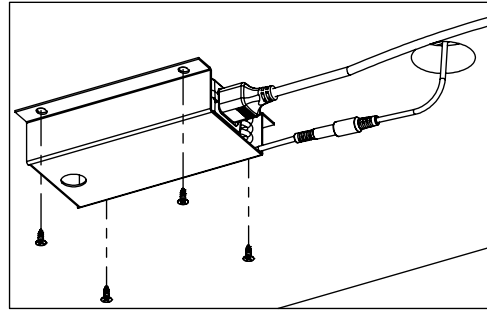
- ROUTE MAIN ELECTRICAL CONNECTOR THROUGH THE BASE GROMMET.
- REINSTALL MAIN BODY OF THE PLANTER.

MOUNTING POWER ADAPTER ASSEMBLY (CASEMENT SHOWN FOR REFERENCE)

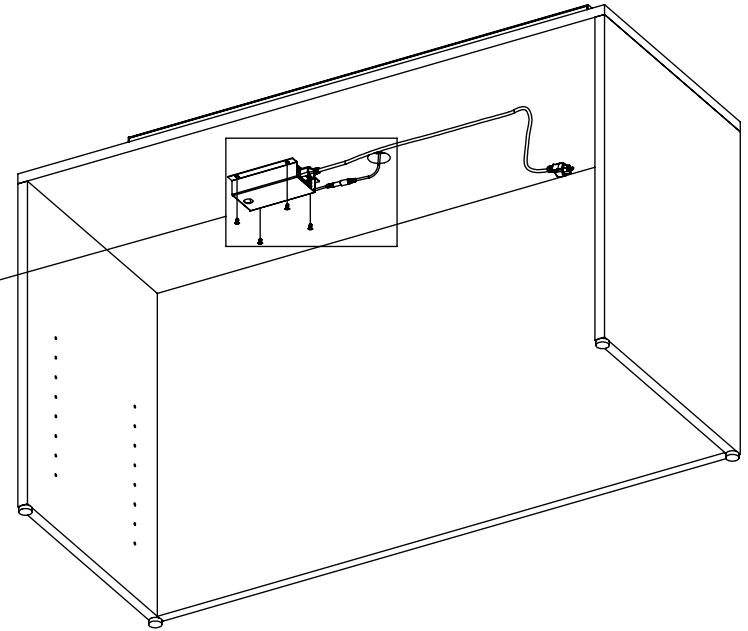
1



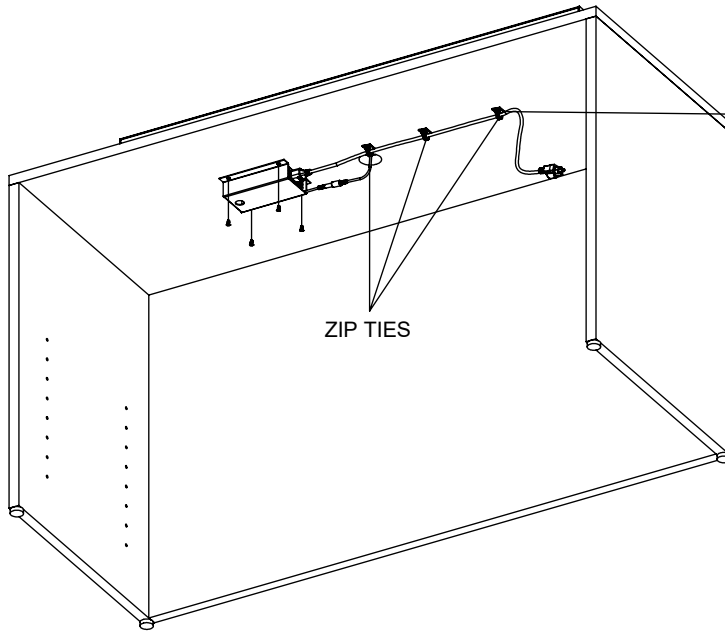
- IF NOT ALREADY INSTALLED, INSERT THE OUTLET PLUG INTO THE POWER ADAPTER.



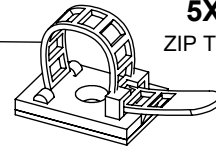
- MOUNT POWER ADAPTER ASSEMBLY TO WOOD MATERIAL WITH WOOD SCREWS.



2



ZIP TIES



5X
ZIP TIES

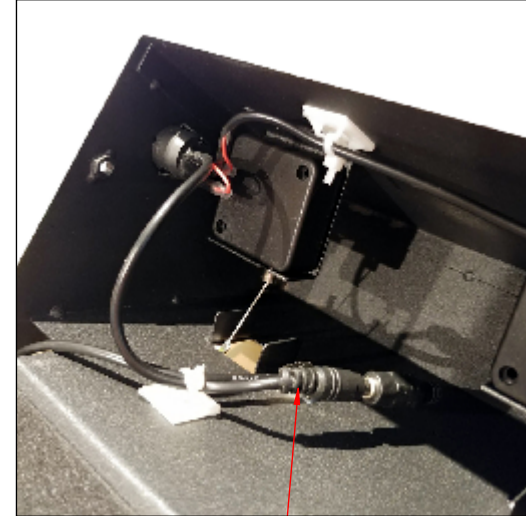
- THE POWER CABLE CAN BE ROUTED AS NEEDED USING THE INCLUDED WIRE ZIP TIES.

TROUBLE SHOOTING INSTRUCTIONS

1

CHECK CONNECTION BETWEEN LED LIGHTS AND INTERNAL WIRING.

TRY TURNING ON LIGHTS AGAIN. IF LIGHTS DO NOT TURN ON, GO TO NEXT STEP.

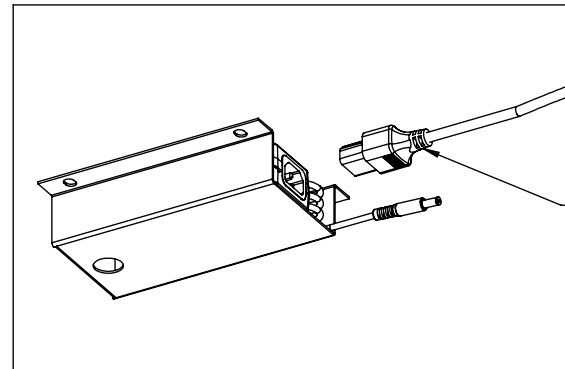


CHECK IF LOOSE

2

CHECK CONNECTION BETWEEN MOUNTING BRICK AND POWER CORD (MOUNTING POWER BRICK ASSEMBLY STEPS.)

TRY TURNING ON LIGHTS AGAIN. IF LIGHTS DO NOT TURN ON, GO TO NEXT STEP.



POWER CORD

IF LIGHTS DO NOT TURN ON,
CONTACT CUSTOMER SERVICE AT
cs@displaydispensary.com