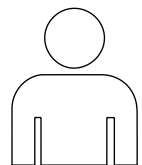
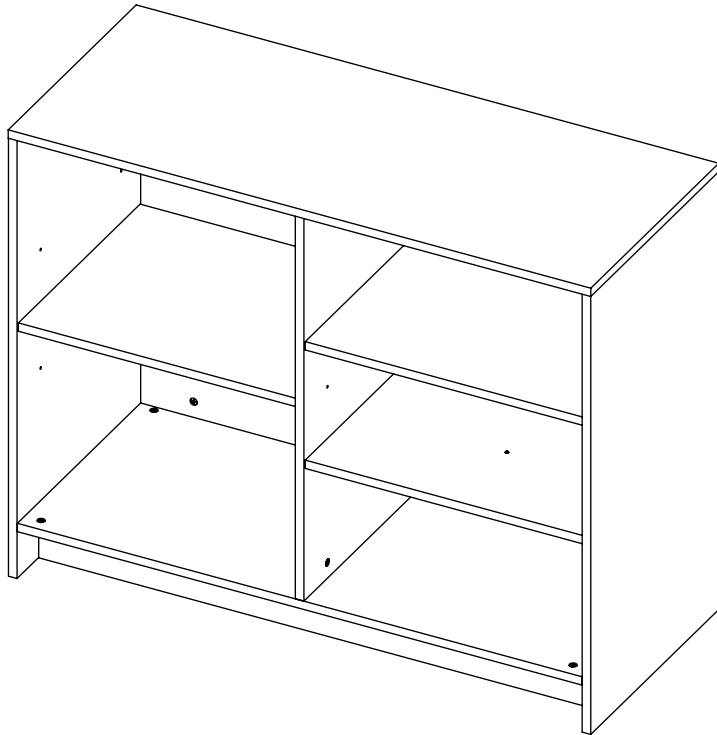


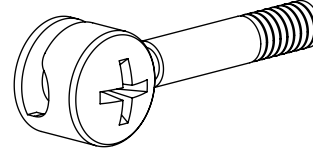
# 48" LONG WRAP COUNTER UNIT

Item # PW-WC48

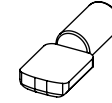


**2 PEOPLE  
REQUIRED  
FOR  
ASSEMBLY**

## INCLUDED HARDWARE



**38X  
CAM LOCK**



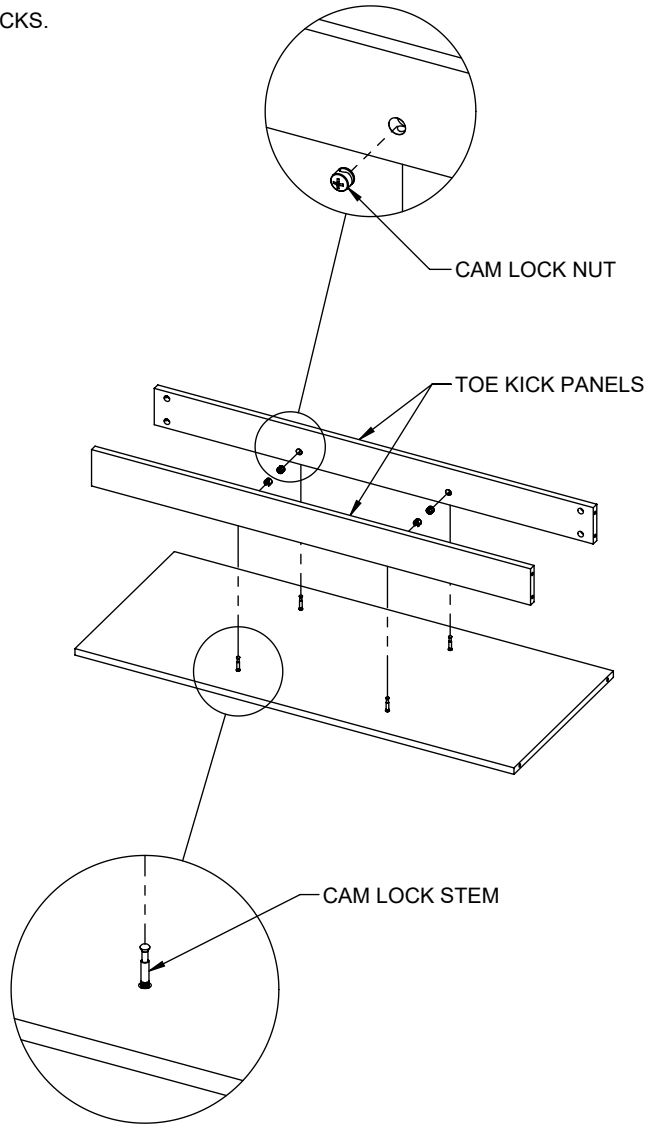
**12X  
SHELF PIN**



**22X  
STICKER**

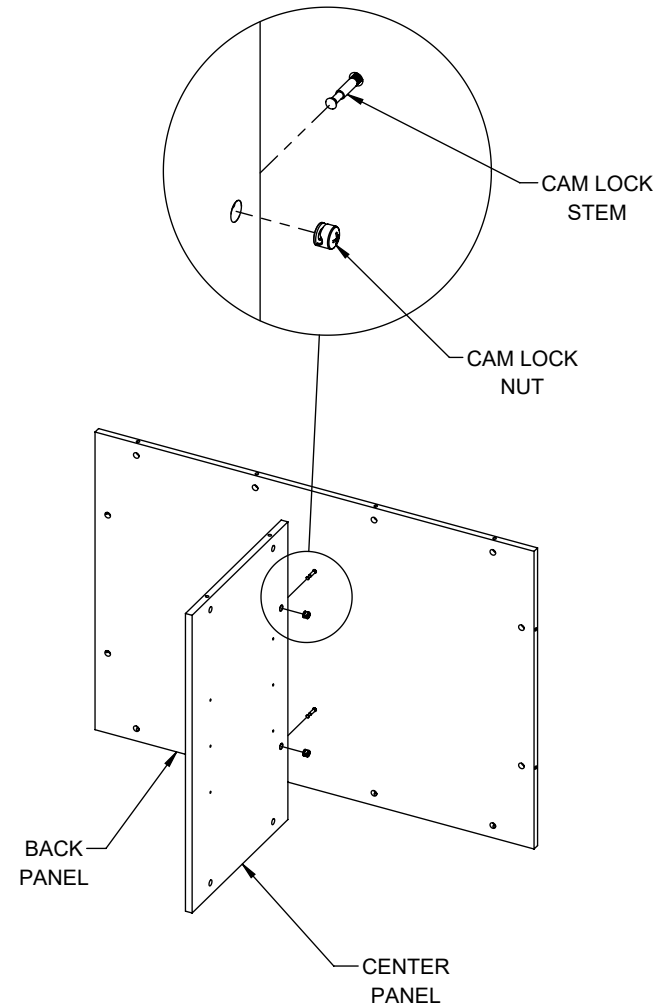
**1**

MOUNT (2) TOE KICK PANELS  
TO THE BASE PANEL USING  
(4) CAM LOCKS.



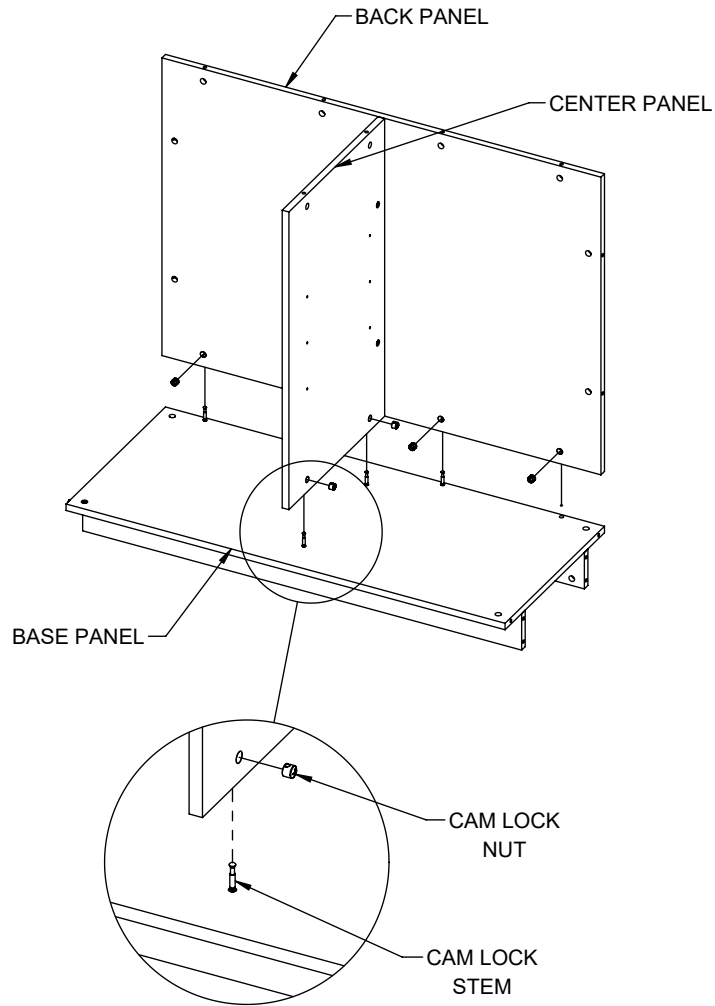
**2**

MOUNT THE CENTER PANEL TO THE  
BACK PANEL USING (2) CAM LOCKS.



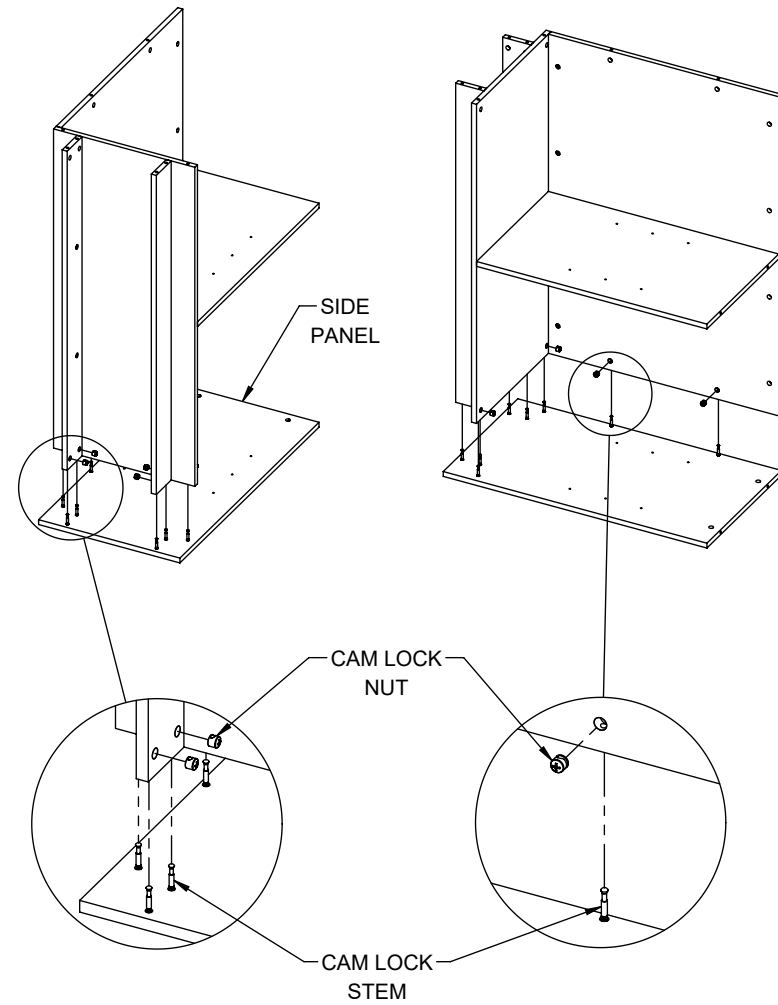
### 3

MOUNT BACK AND CENTER  
PANEL TO THE BASE PANEL  
USING (6) CAM LOCKS.



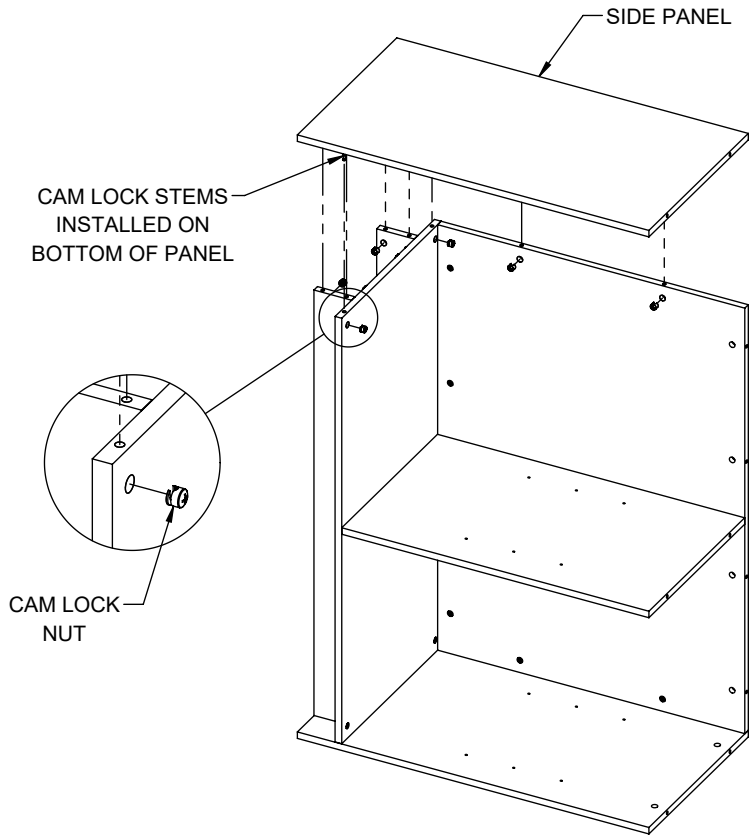
### 4

MOUNT (1) SIDE PANEL TO  
THE REST OF THE UNIT  
USING (8) CAM LOCKS.



# 5

MOUNT THE OTHER SIDE PANEL TO THE REST OF THE UNIT USING (8) CAM LOCKS.

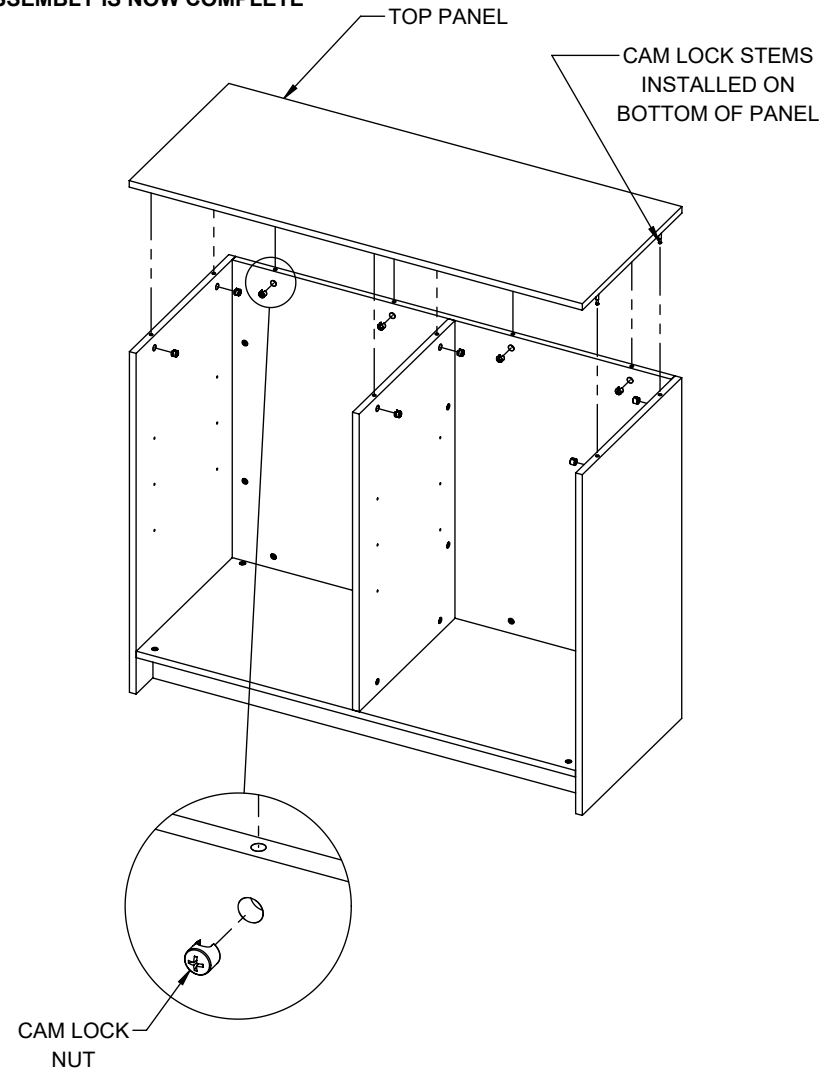


# 6

MOUNT THE TOP PANEL TO THE REST OF THE UNIT USING (10) CAM LOCKS.

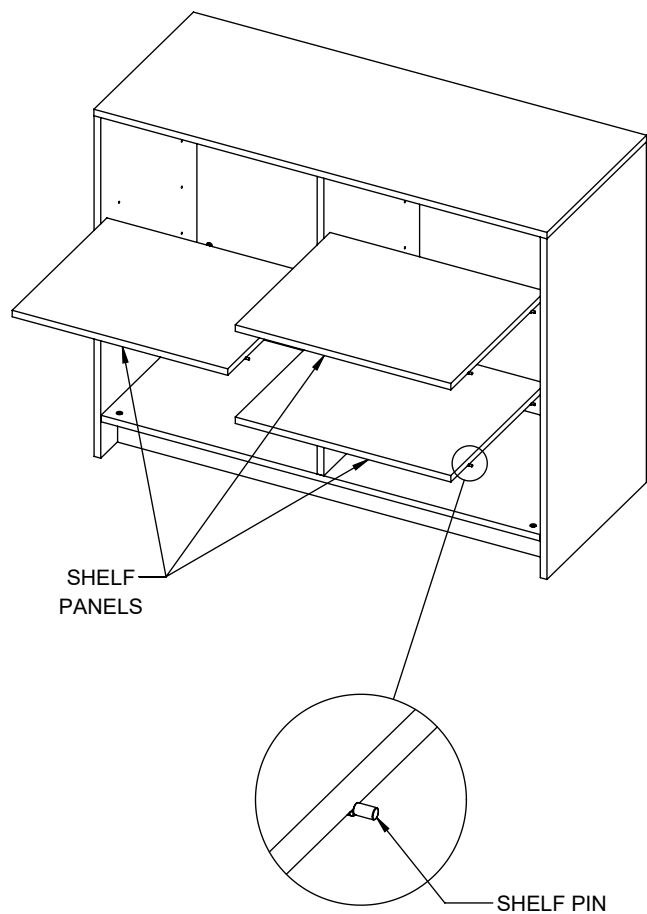
COVER ANY EXPOSED HOLES WITH STICKERS.

**\*ASSEMBLY IS NOW COMPLETE\***



**7**

INSTALL (3) SHELF PANELS AT  
DESIRED HEIGHTS USING (4)  
PINS PER SHELF.



**\*ASSEMBLY IS NOW COMPLETE\***

