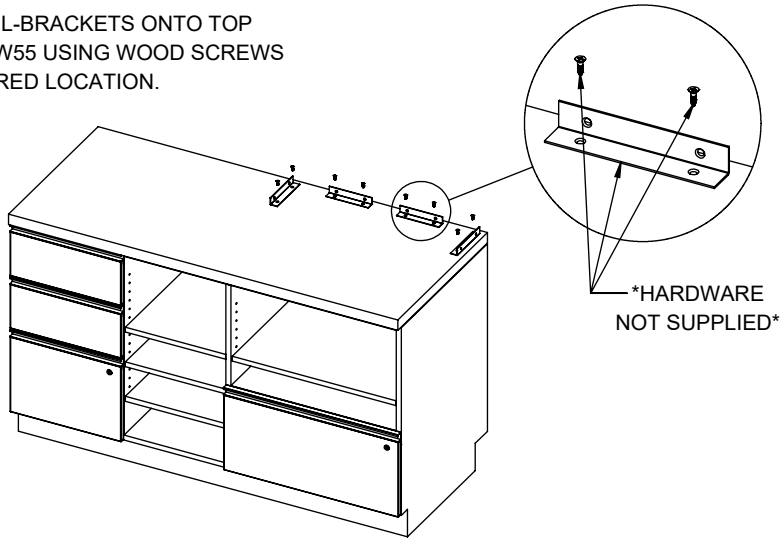


OPTIONS FOR MOUNTING DDRW28 TO DDCW55

USING L-BRACKETS:

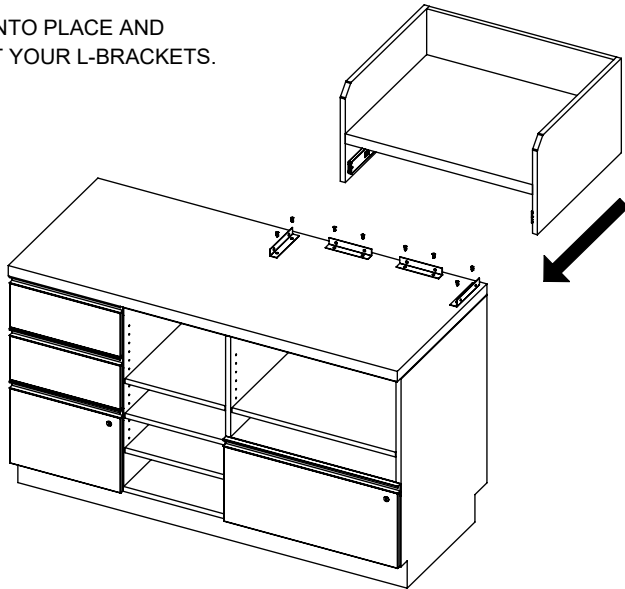
1

FASTEN L-BRACKETS ONTO TOP OF DDCW55 USING WOOD SCREWS AT DESIRED LOCATION.



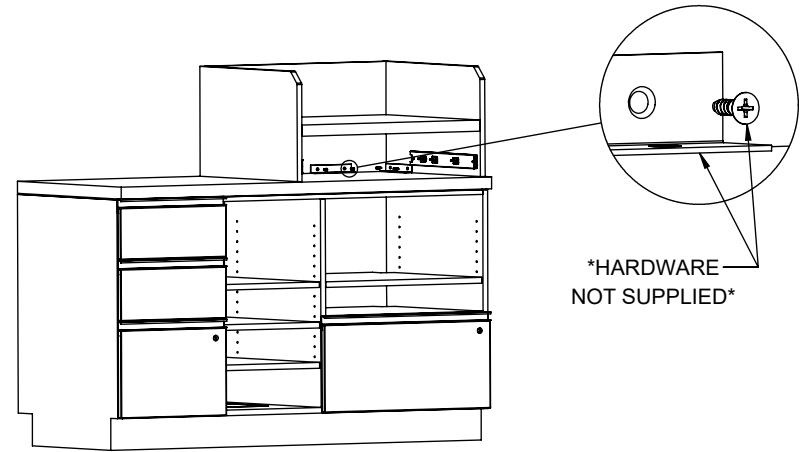
2

SLIDE DDRW28 INTO PLACE AND BUTT IT AGAINST YOUR L-BRACKETS.



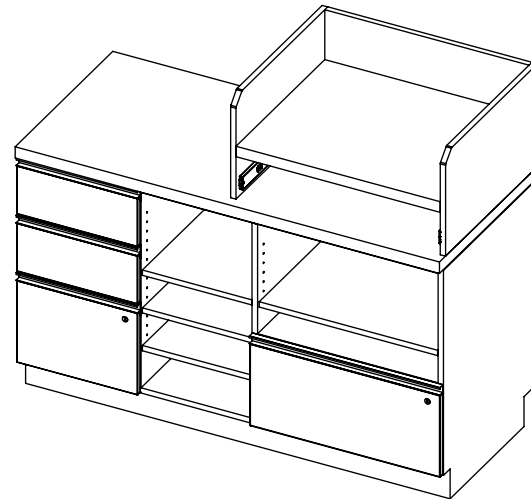
3

MOUNT DDRW28 TO L-BRACKETS USING WOOD SCREWS.



4

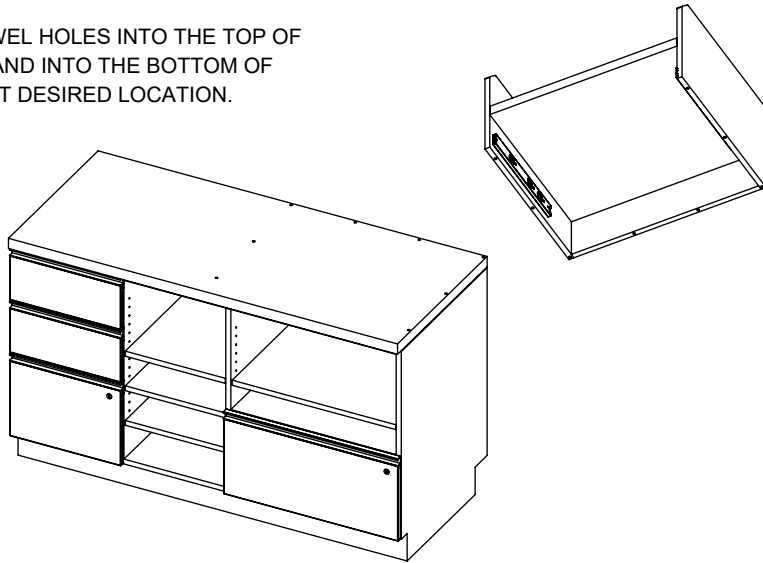
ASSEMBLY IS NOW COMPLETE.



USING DOWELS:

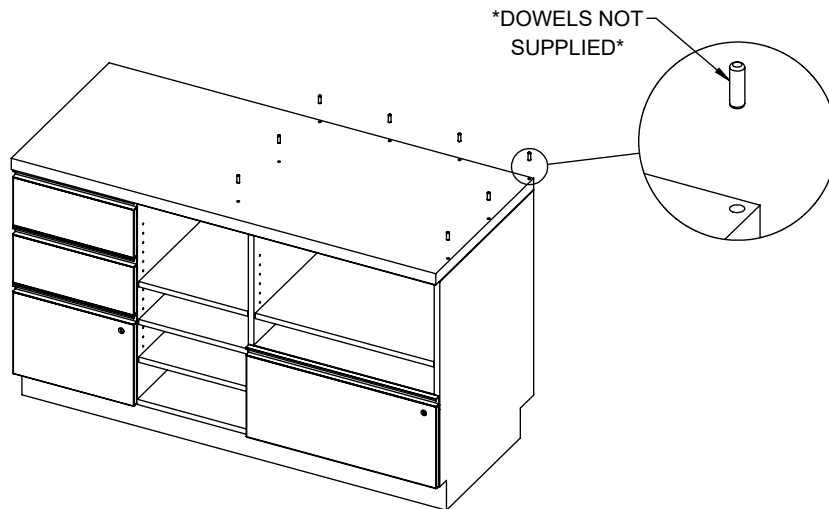
1

DRILL DOWEL HOLES INTO THE TOP OF DDCW55, AND INTO THE BOTTOM OF DDRW28 AT DESIRED LOCATION.



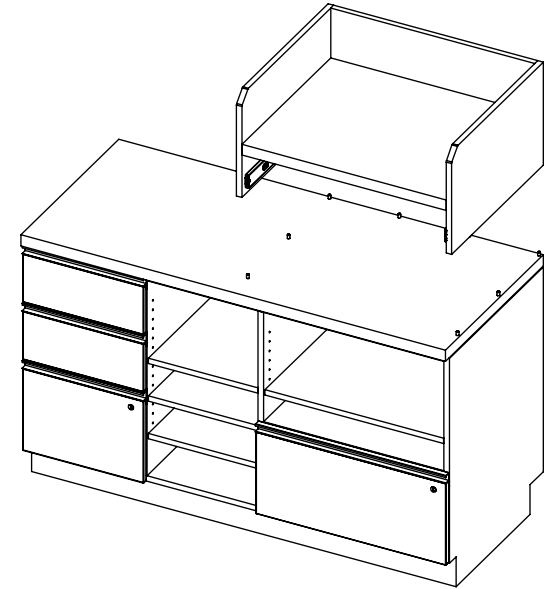
2

INSERT DOWELS INTO THE HOLES ON DDCW55.



3

PUT DDRW28 IN PLACE ON TOP OF DDCW55 BY LINING UP THE DOWELS WITH THE DOWEL HOLES IN THE BOTTOM OF DDRW28.



4

ASSEMBLY IS NOW COMPLETE.

