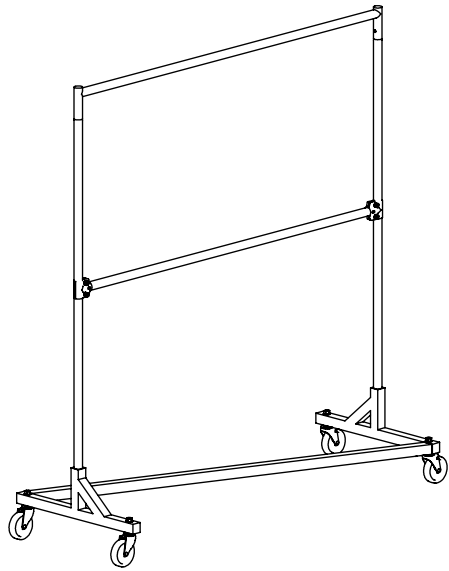
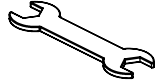


**ASSEMBLY  
INSTRUCTIONS FOR:  
RZK8DH, RZK8RNGDH**



**TOOLS INCLUDED**

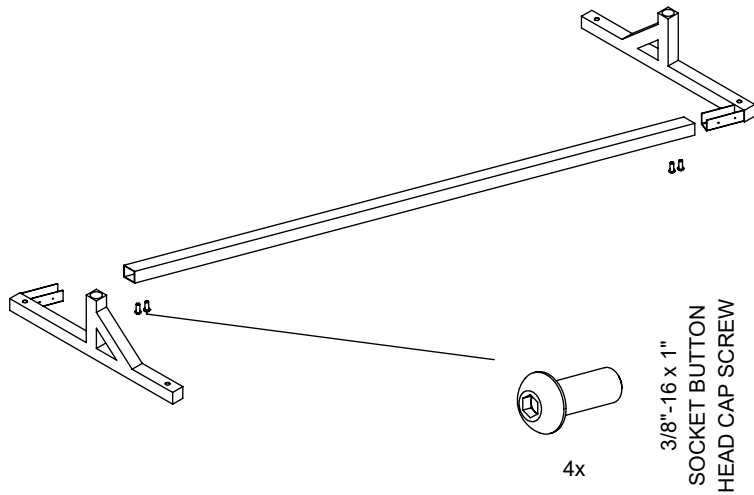


WRENCH



ALLEN KEY

**1**

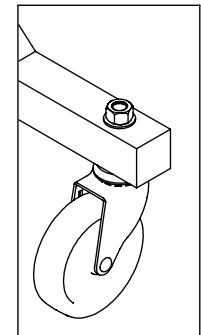
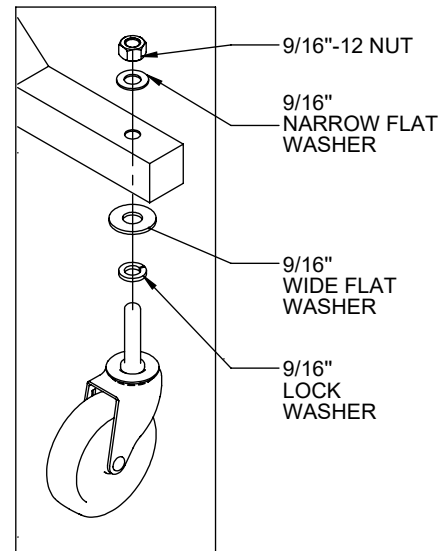
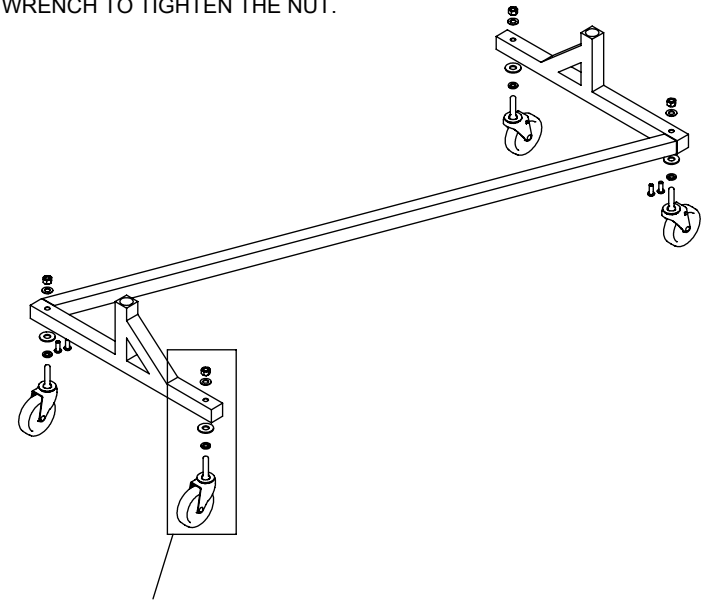


3/8"-16 x 1"  
SOCKET BUTTON  
HEAD CAP SCREW  
4x

**2**

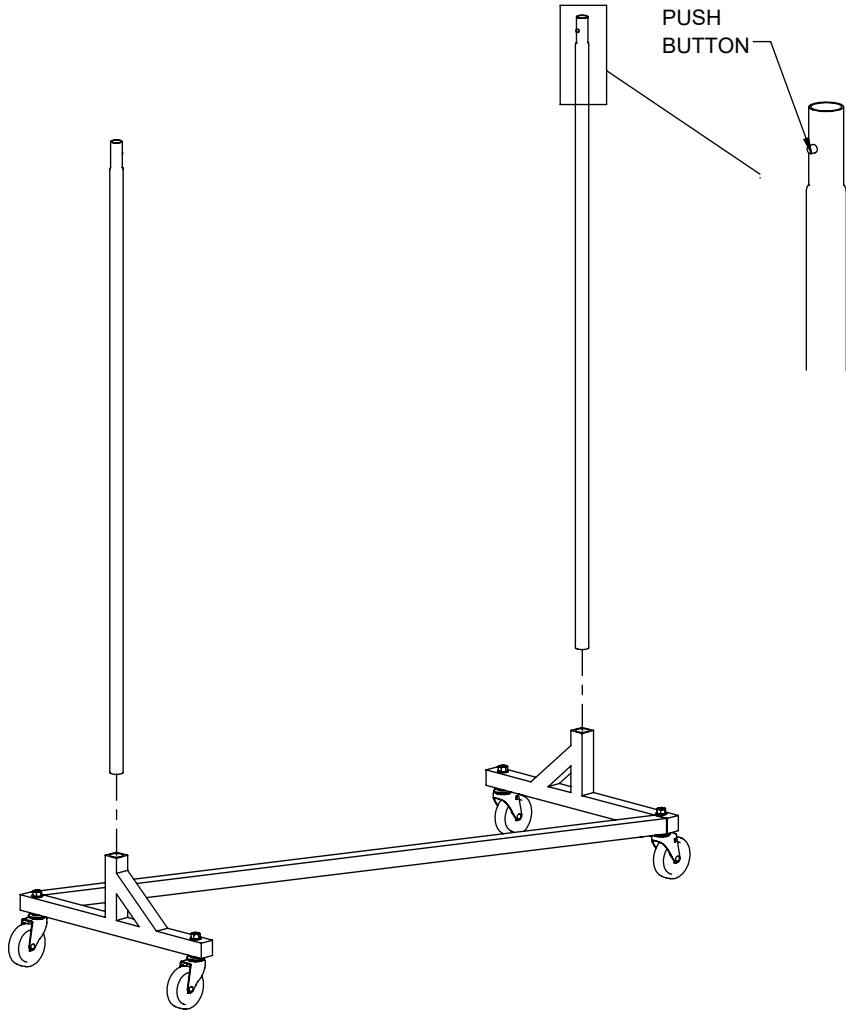
ASSEMBLE CASTERS TO BASE WITH WASHERS AND NUT.

USE WRENCH TO TIGHTEN THE NUT.



ASSEMBLED VIEW

**3** ALIGN PUSH BUTTONS TOWARDS INSIDE.



**4** INSERT HANG BAR INTO UPRIGHTS.  
CLAMP THE ADD-ON HANG BAR WHERE  
REQUIRED AS SHOWN. USE WRENCH  
TO TIGHTEN THE LOCK NUTS.

