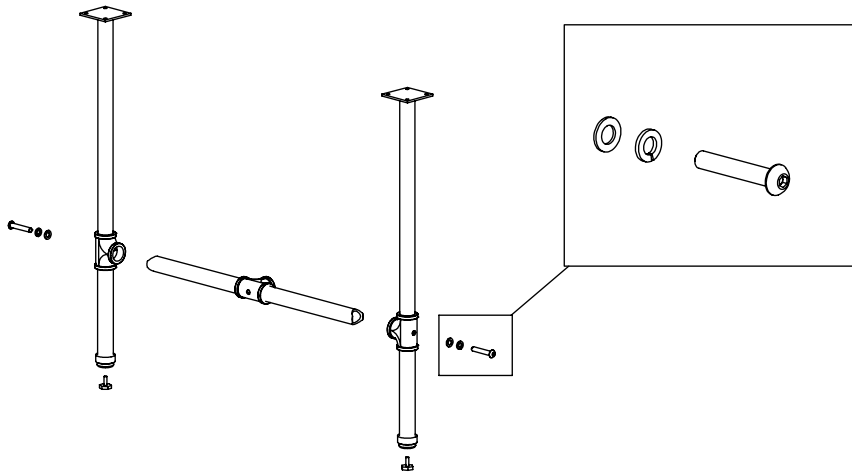
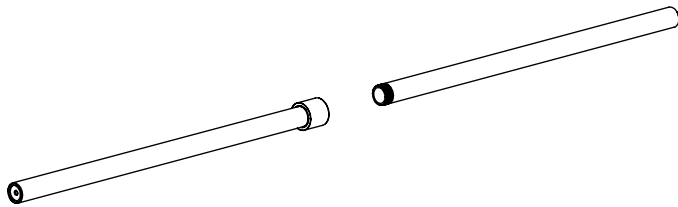


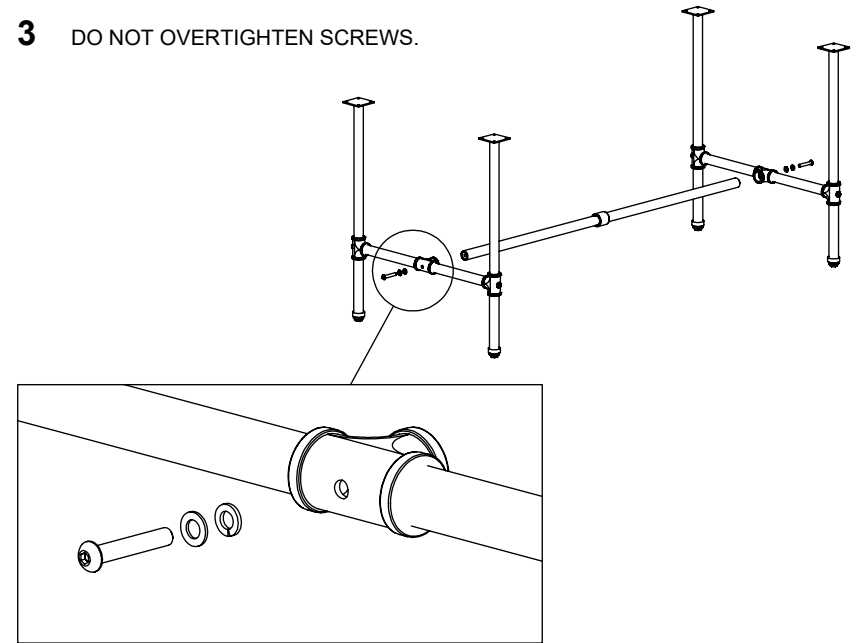
**1** DO NOT OVERTIGHTEN SCREWS.



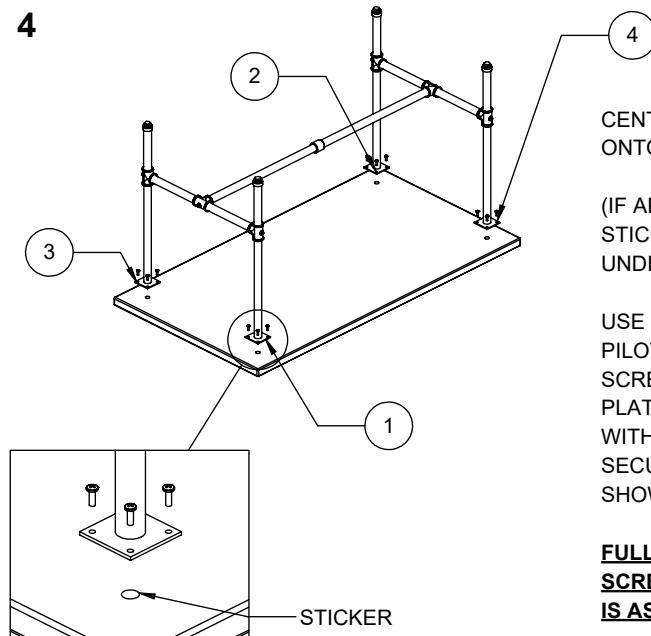
**2**



**3** DO NOT OVERTIGHTEN SCREWS.



**4**



CENTER THE PIPE FRAME  
ONTO TABLE TOP.

(IF APPLICABLE, USE THE 4  
STICKERS ON THE  
UNDERSIDE AS A GUIDE.)

USE 3/32" DRILL BIT TO DRILL  
PILOT HOLES FOR WOOD  
SCREWS (USING TABLE LEG  
PLATE AS GUIDE). TIGHTEN  
WITH WOOD SCREWS.  
SECURE LEGS IN ORDER  
SHOWN.

**FULLY TIGHTEN ALL  
SCREWS AFTER TABLE TOP  
IS ASSEMBLED.**